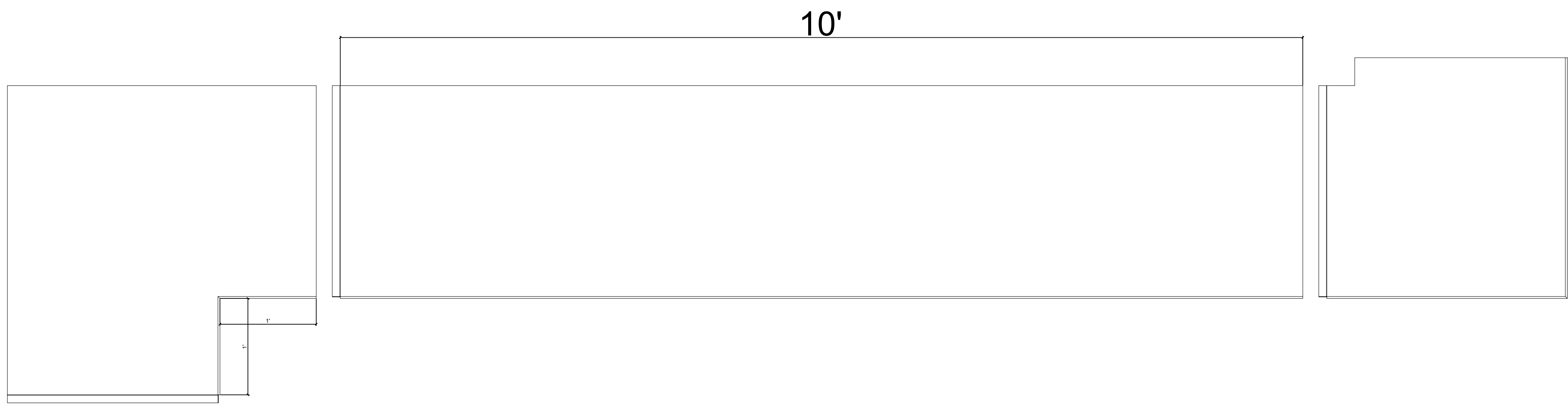


Fiberglass Cornice by Architectural Mall, Inc
 Available in Paint-Grade or Pre-Finished Gel
 Coat, Stone Finish, or Granite Finish



1 CR101x10 Inside Corner Top View
SCALE 1:1

2 Top View CR101x10
SCALE 1:1

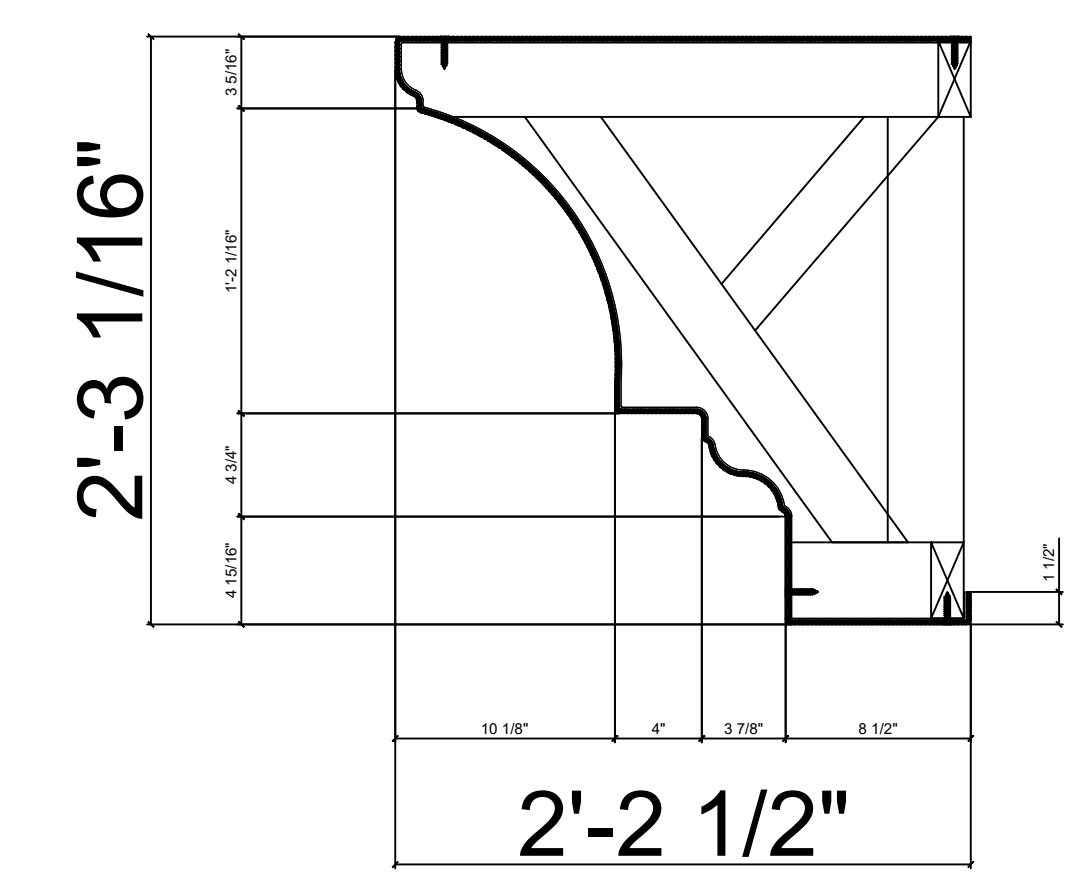
3 CR101x10 Outside Corner Top View
SCALE 1:1



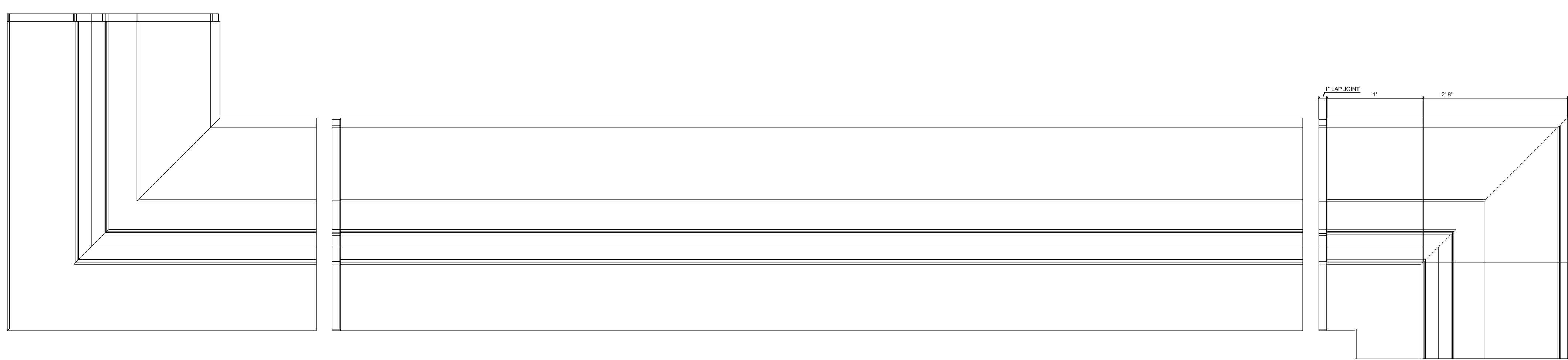
4 CR101x10 Elevation of Inside Corner
SCALE 1:1

5 CR101x10 Elevation
SCALE 1:1

6 CR101x10 Elevation of Outside Corner
SCALE 1:1



7 CR101x10 Cross Section
SCALE 1:1

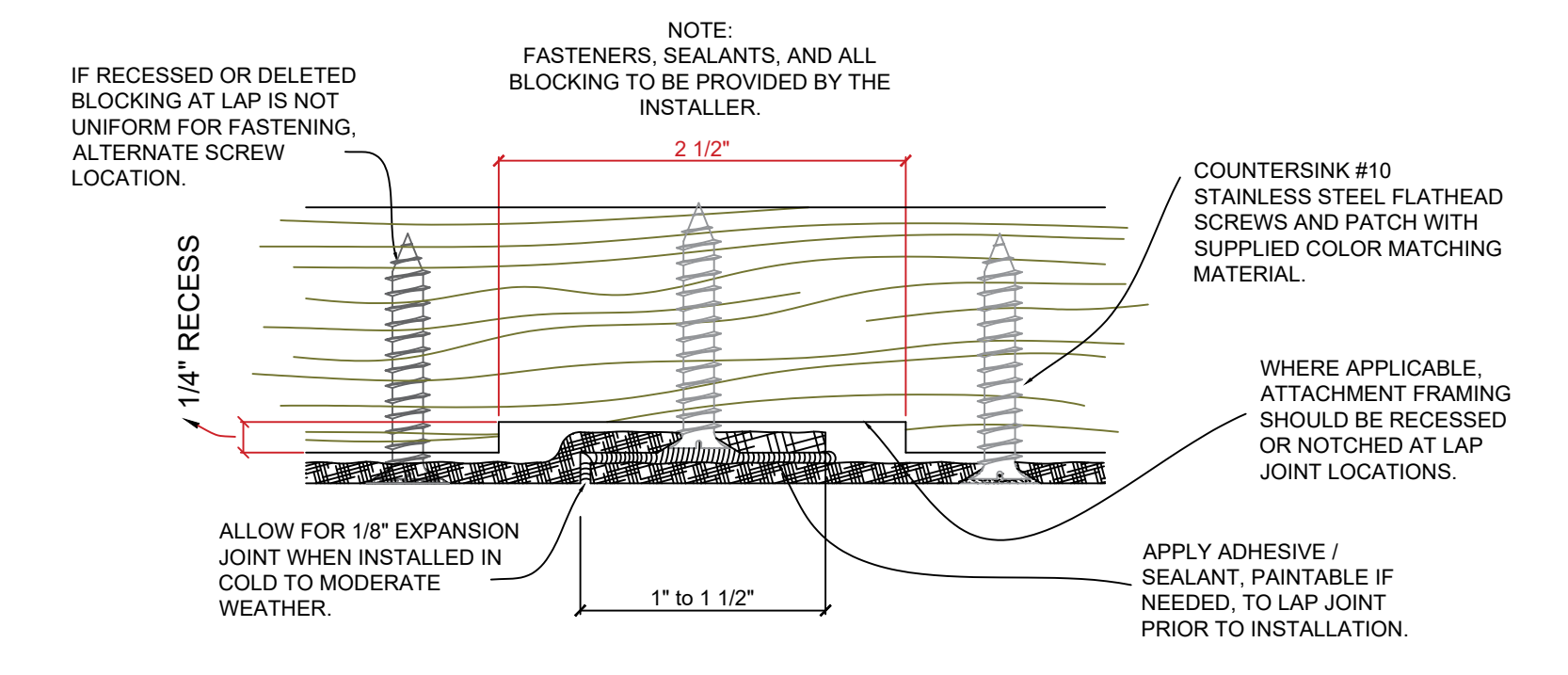


8 CR101x10 Inside Corner Under Side
SCALE 1:1

9 CR101x10 Underside View
SCALE 1:1

10 CR101x10 Outside Corner Under Side
SCALE 1:1

This is a recommendation. Actual framing to be determined by Engineer.



11 Typical Lap Joint Detail
Not to Scale

CR101x10

2' 3-1/16" H x 2' 2-1/2" P x 120" L

Manufactured By Architectural Mall, Inc
 642 W Winthrop Ave ~ Addison, IL 60101

T.877-279-9993 F. 877-271-9994

www.columnsandbalustrades.com

sales@architecturalmall.com