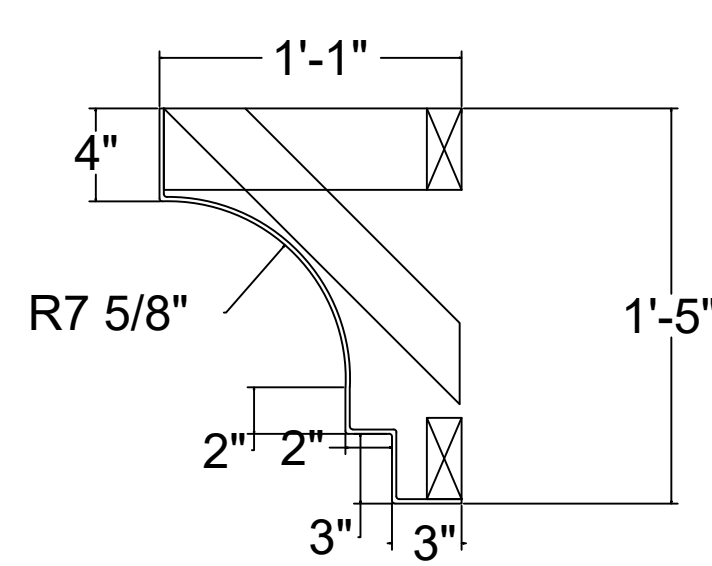
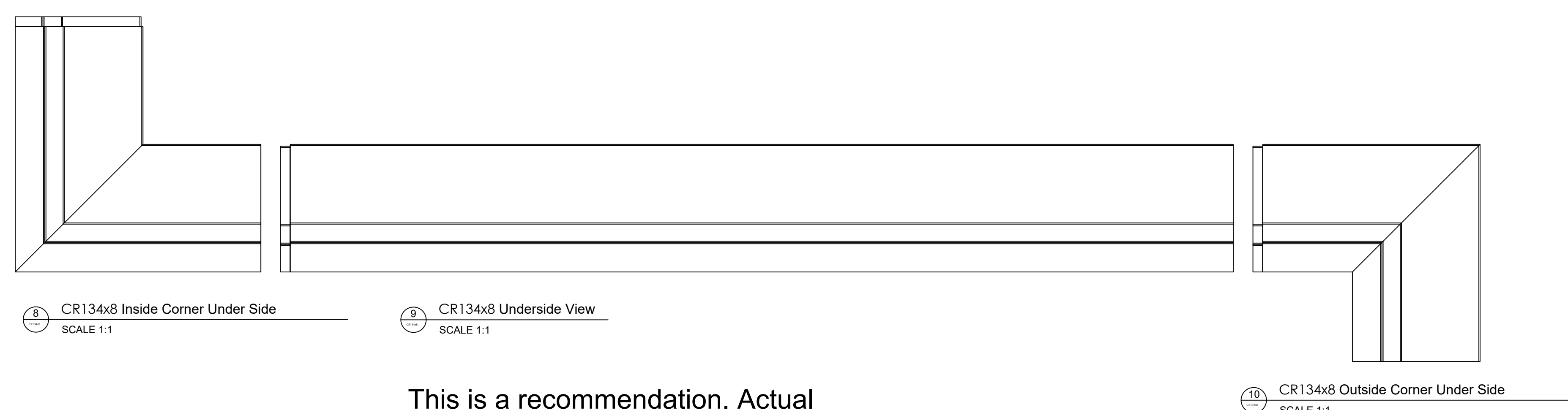
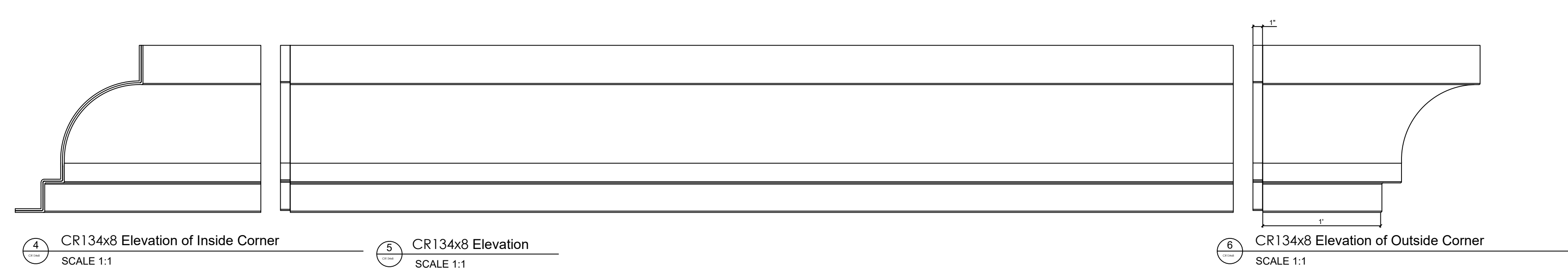
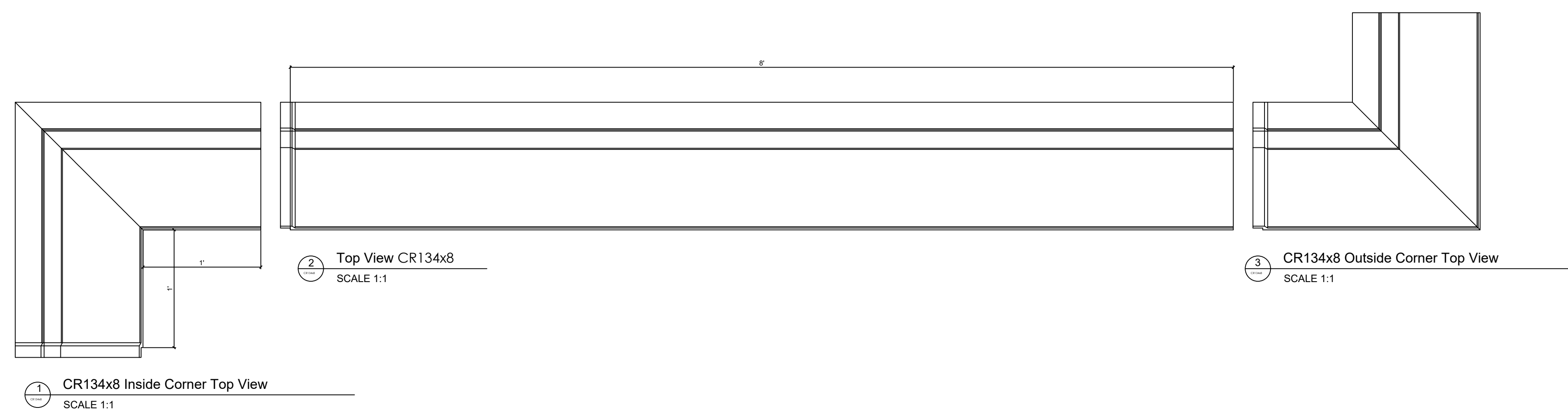
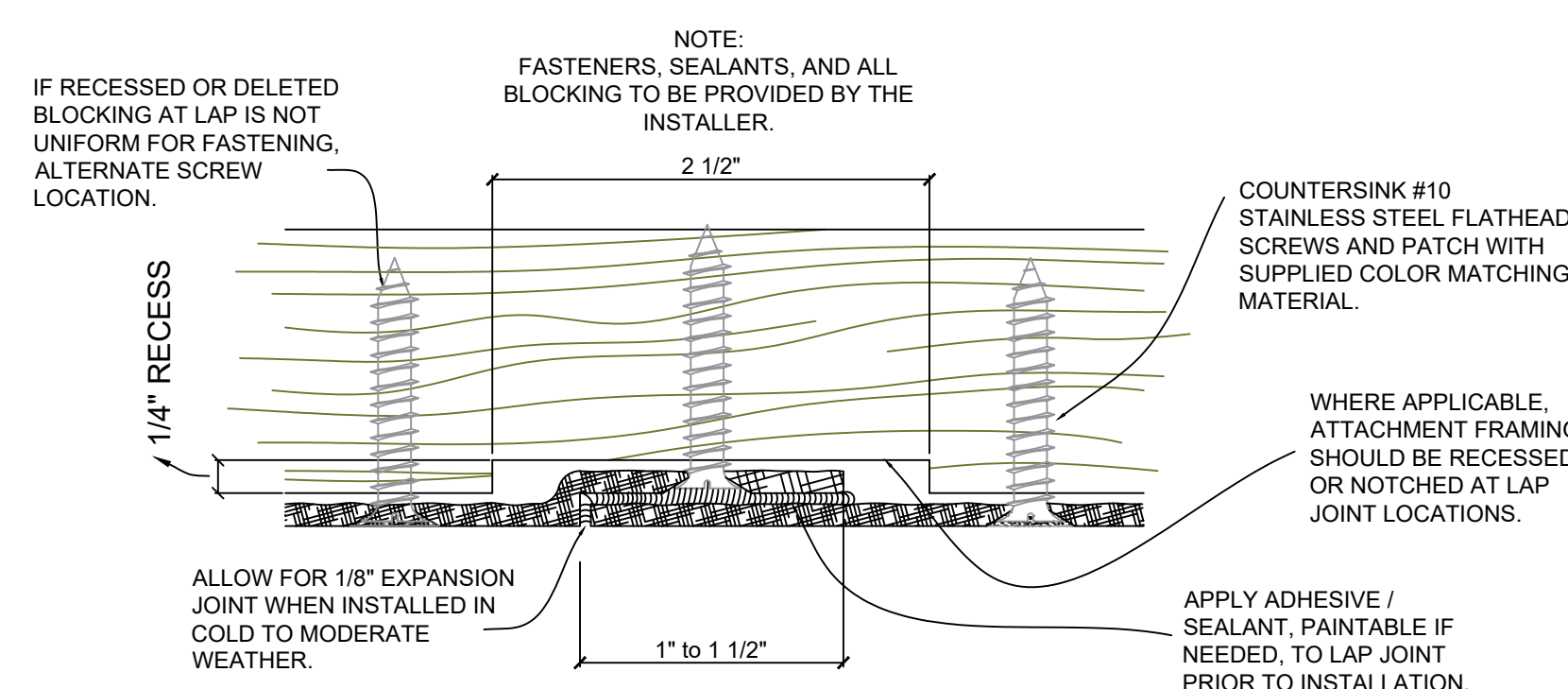


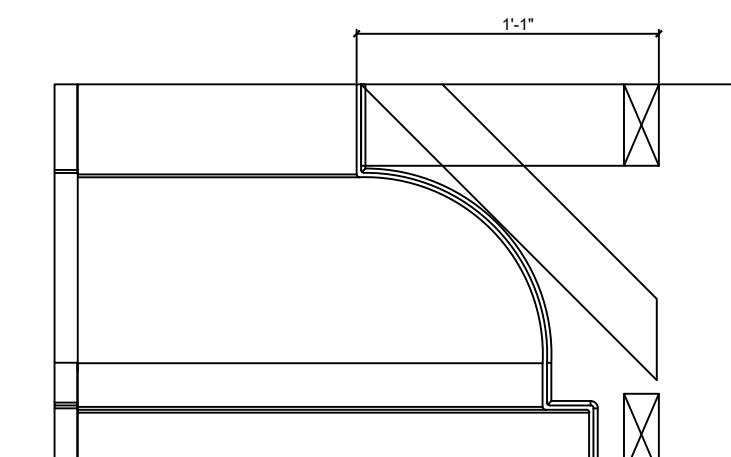
Fiberglass Cornice by Architectural Mall, Inc Available in Paint-Grade or Pre-Finished Gel Coat, Stone Finish, or Granite Finish



This is a recommendation. Actual framing to be determined by Engineer.



11 Typical Lap Joint Detail
Not to Scale



7 CR134x8 Cross Section

CR134x8

1'-5" H x 1'-1" P x 96" L

Manufactured By Architectural Mall, Inc
642 W Winthrop Ave ~ Addison, IL 60101
T.877-279-9993 F. 877-271-9994
www.columnsandbalustrades.com
sales@architecturalmall.com