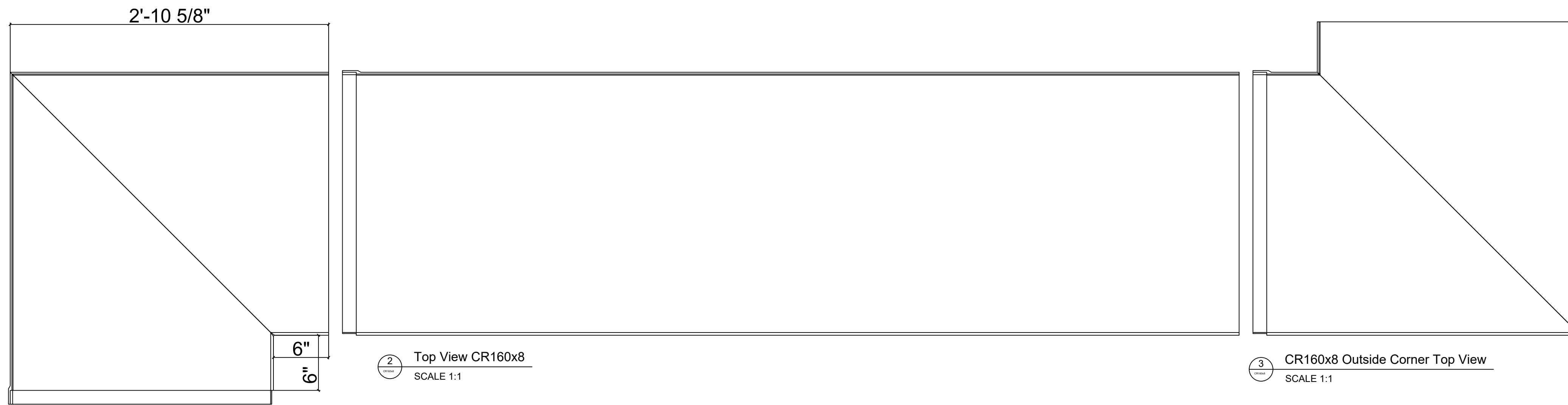


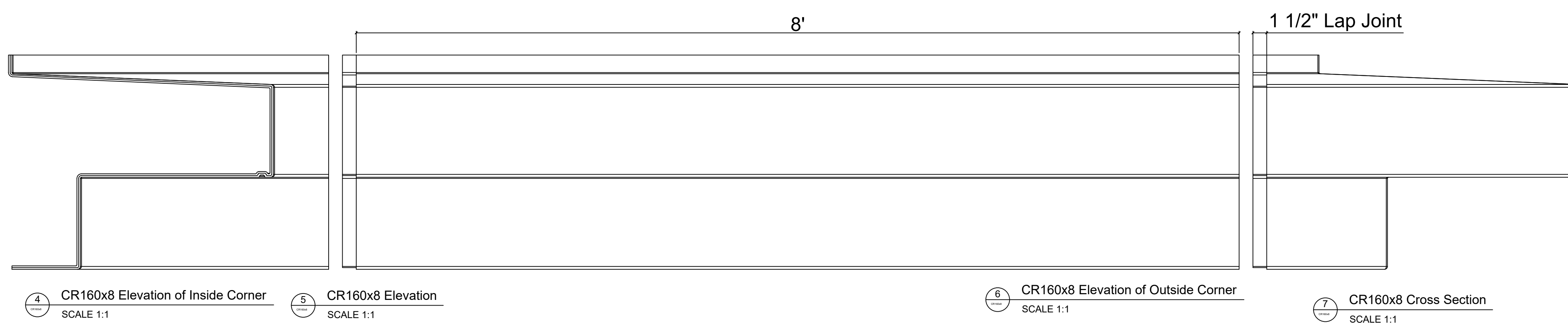
Fiberglass Cornice by Architectural Mall, Inc  
 Available in Paint-Grade or Pre-Finished Gel Coat,  
 Stone Finish, or Granite Finish



1 CR160x8 Inside Corner Top View  
SCALE 1:1

2 Top View CR160x8  
SCALE 1:1

3 CR160x8 Outside Corner Top View  
SCALE 1:1

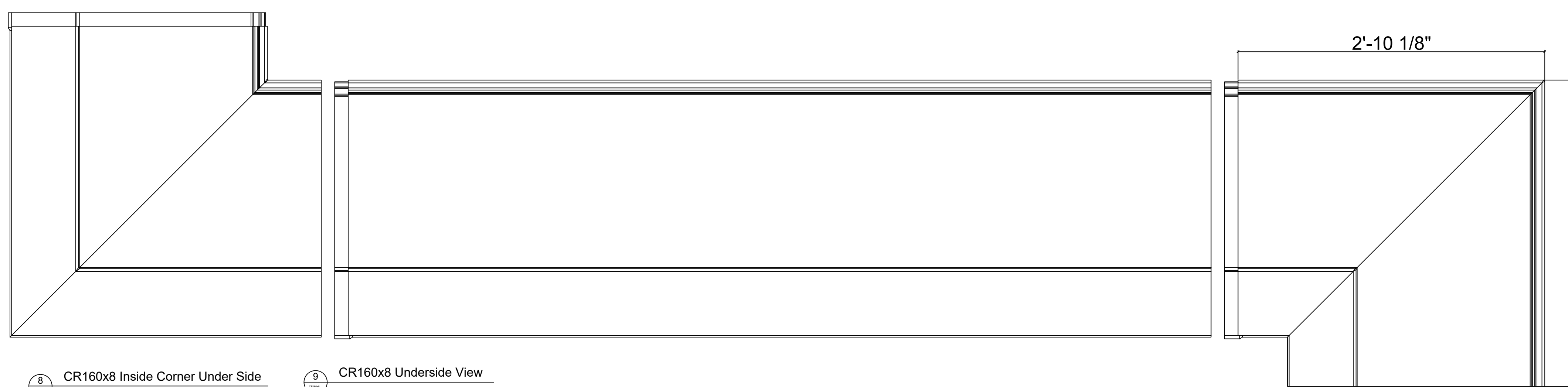
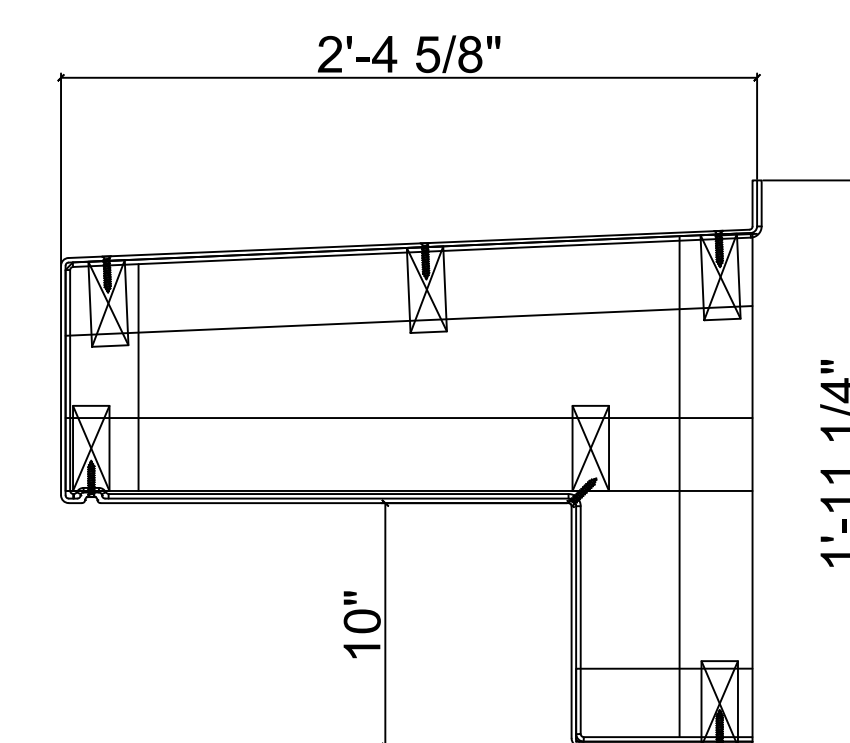


4 CR160x8 Elevation of Inside Corner  
SCALE 1:1

5 CR160x8 Elevation  
SCALE 1:1

6 CR160x8 Elevation of Outside Corner  
SCALE 1:1

7 CR160x8 Cross Section  
SCALE 1:1

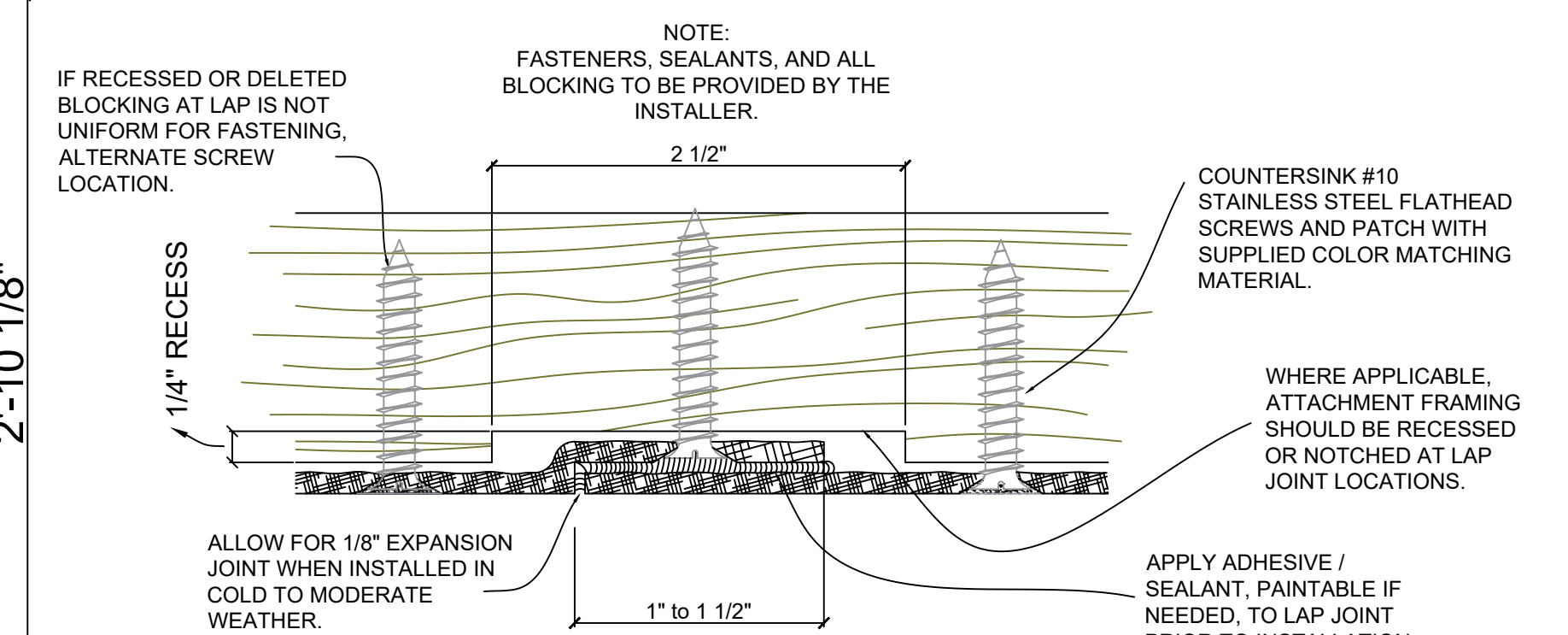


8 CR160x8 Inside Corner Under Side  
SCALE 1:1

9 CR160x8 Underside View  
SCALE 1:1

10 CR160x8 Outside Corner Under Side  
SCALE 1:1

This is a recommendation. Actual framing to be determined by Engineer.



11 Typical Lap Joint Detail  
Not to Scale

# CR160x8

1'-11 1/4" H x 2'-4 5/8" P x 96" L

Manufactured By Architectural Mall, Inc  
 642 W Winthrop Ave. Addison, IL 60101

T. (877) 279-9993 F. (877) 271-9994

[www.columnsandbalustrades.com](http://www.columnsandbalustrades.com)

[Sales@architecturallmall.com](mailto:Sales@architecturallmall.com)