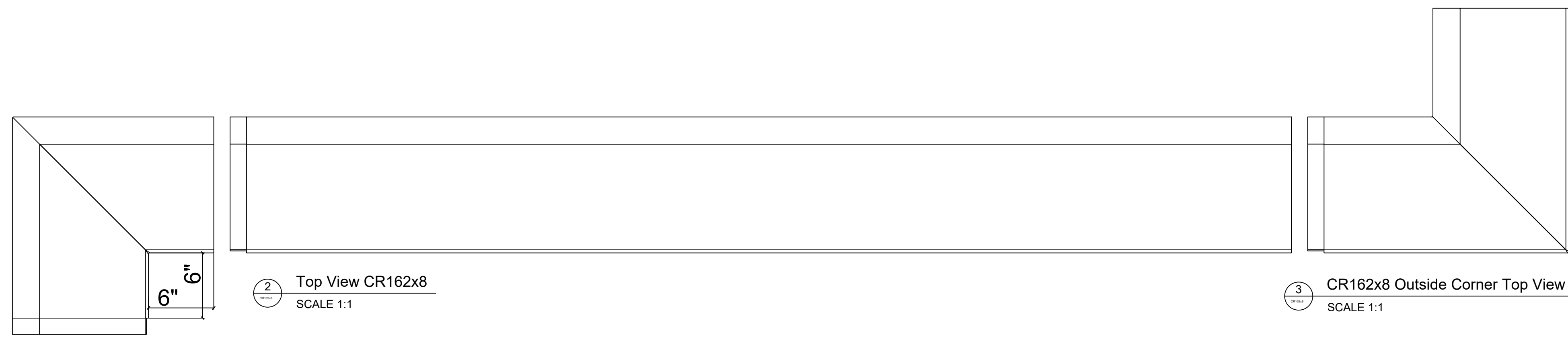


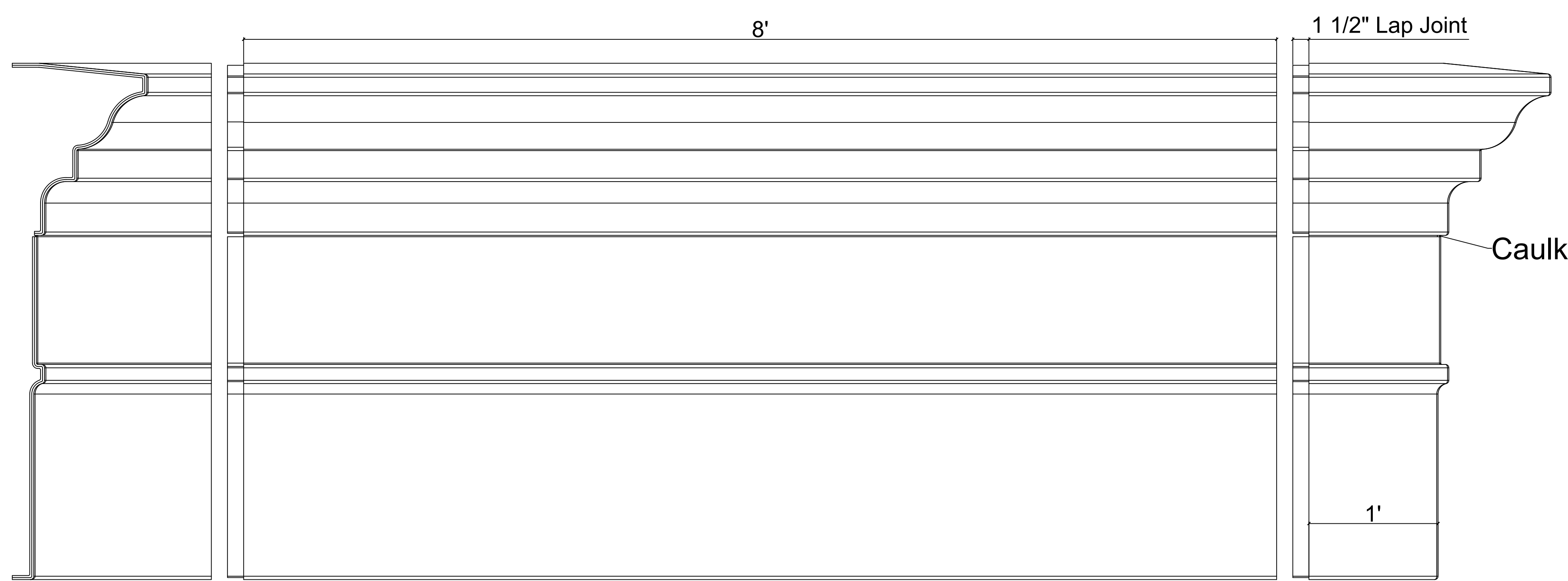
Fiberglass Cornice by Architectural Mall, Inc
 Available in Paint-Grade or Pre-Finished Gel Coat,
 Stone Finish, or Granite Finish



1 CR162x8 Inside Corner Top View
SCALE 1:1

2 Top View CR162x8
SCALE 1:1

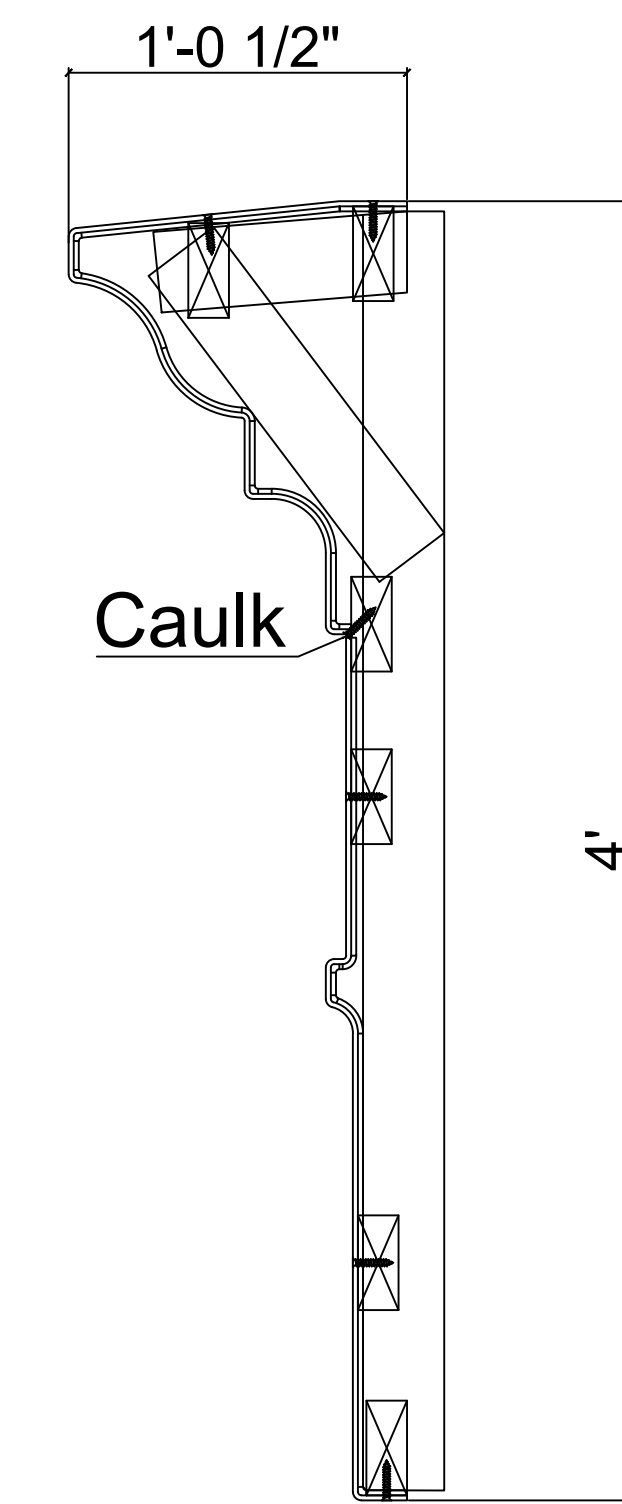
3 CR162x8 Outside Corner Top View
SCALE 1:1



4 CR162x8 Elevation of Inside Corner
SCALE 1:1

5 CR162x8 Elevation
SCALE 1:1

6 CR162x8 Elevation of Outside Corner
SCALE 1:1



7 CR162x8 Cross Section
SCALE 1:1

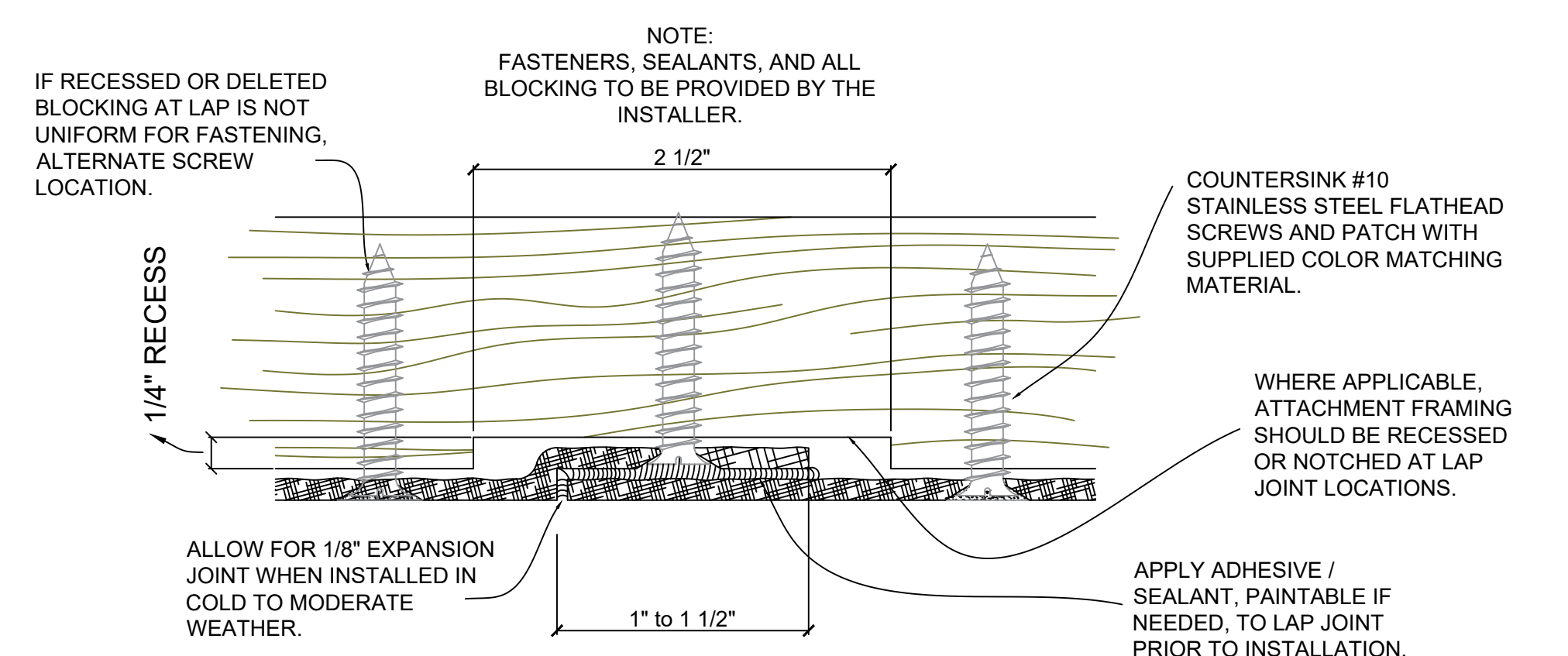


8 CR162x8 Inside Corner Under Side
SCALE 1:1

9 CR162x8 Underside View
SCALE 1:1

10 CR162x8 Outside Corner Under Side
SCALE 1:1

This is a recommendation. Actual framing to be determined by Engineer.



11 Typical Lap Joint Detail
Not to Scale

CR162x8

4' H x 1'-0 1/2" P x 96" L

Manufactured By Architectural Mall, Inc
 642 W Winthrop Ave. Addison, IL 60101

T. (877) 279-9993 F. (877) 271-9994

www.columnsandbalustrades.com

Sales@architecturalmall.com