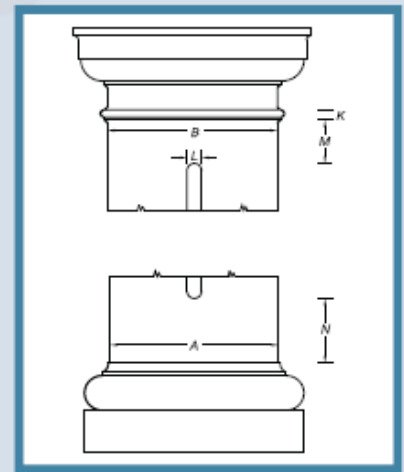


DuraCast™ Round Non-Tapered Full Length Columns

Plain						
Column Size	Bottom Shaft Diameter	Neck Shaft Diameter	Bead	Load-Bearing Capacity* (in lbs.)	Minimum Wall Thickness	Length (in feet)
	A	B	K			
8"	7 ³ / ₈	7 ³ / ₈	1	10,000	³ / ₈	8, 9, 10
10"	9 ³ / ₈	9 ³ / ₈	1	14,000	³ / ₈	8, 9, 10
12"	11 ³ / ₈	11 ³ / ₈	1	18,000	³ / ₈	8, 9, 10, 12
14"	13 ³ / ₈	13 ³ / ₈	1 ¹ / ₈	20,000	¹ / ₂	8, 9, 10, 12
16"	15 ³ / ₈	15 ³ / ₈	1 ³ / ₈	20,000	¹ / ₂	8, 9, 10, 12, 14, 16, 18, 20
18"	17 ³ / ₈	17 ³ / ₈	1 ³ / ₈	20,000	¹ / ₂	8, 9, 10, 12, 14, 16, 18, 20
20"	20	20	1 ³ / ₈	20,000	¹ / ₂	8, 9, 10, 12
22"	22	22	1 ³ / ₈	20,000	³ / ₈	8, 9, 10, 12, 14, 16, 18, 20, 22, 24, 26, 28, 30
24"	24	24	1 ³ / ₄	20,000	³ / ₈	8, 9, 10, 12, 14, 16, 18, 20



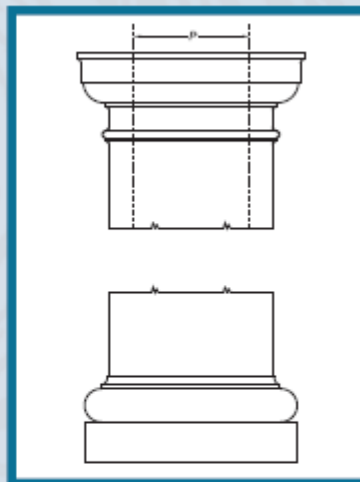
Fluted										
Column Size	Bottom Shaft Diameter	Neck Shaft Diameter	Bead	Flute Width	Top Flute	Bottom Flute	No. Flutes	Load-Bearing Capacity* (in lbs.)	Minimum Wall Thickness	Length (in feet)
	A	B	K	L	M	N				
8"	7 ³ / ₈	7 ³ / ₈	1	¹¹ / ₁₆	1	10 ³ / ₄	24	10,000	³ / ₈	8, 9, 10
10"	9 ³ / ₈	9 ³ / ₈	1	⁷ / ₈	1	10 ³ / ₄	24	14,000	³ / ₈	8, 9, 10
12"	11 ³ / ₈	11 ³ / ₈	1	1	1	10 ³ / ₄	24	18,000	³ / ₈	8, 9, 10, 12
14"	13 ³ / ₈	13 ³ / ₈	1 ¹ / ₈	1	1	10 ³ / ₄	24	20,000	¹ / ₂	8, 9, 10, 12
16"	15 ³ / ₈	15 ³ / ₈	1 ³ / ₈	1 ¹ / ₄	1 ¹ / ₄	10 ³ / ₄	24	20,000	¹ / ₂	8, 9, 10, 12, 14, 16, 18, 20
18"	17 ³ / ₈	17 ³ / ₈	1 ³ / ₈	1 ³ / ₈	1 ¹ / ₄	10 ³ / ₄	24	20,000	¹ / ₂	8, 9, 10, 12, 14, 16, 18, 20
20"	20	20	1 ³ / ₈	1 ³ / ₈	1 ¹ / ₄	10 ³ / ₄	24	20,000	¹ / ₂	8, 9, 10, 12
22"	22	22	1 ³ / ₈	1 ³ / ₄	1 ¹ / ₄	10 ³ / ₄	24	20,000	³ / ₈	8, 9, 10, 12, 14, 16, 18, 20, 22, 24, 26, 28, 30
24"	24	24	1 ³ / ₄	1 ³ / ₄	1 ¹ / ₄	10 ³ / ₄	24	20,000	³ / ₈	8, 9, 10, 12, 14, 16, 18, 20

*Load-bearing Capacity is dependent on concentric loading of the column. All fluted Columns have adjustable flutes which can be altered.



Columns to Surround Structural Supports for DuraCast™ Round Non-Tapered Columns

Full Length & Knee-Wall			
Column Size	Inside Top Shaft Diameter	Largest Round Support	Largest Square Support
	P		
8"	6 ³ / ₈	6 ¹ / ₈	4 ³ / ₈
10"	8 ³ / ₈	8 ¹ / ₈	5 ³ / ₄
12"	10 ³ / ₈	10 ¹ / ₈	7 ¹ / ₈
14"	12 ¹ / ₈	11 ³ / ₈	8 ¹ / ₈
16"	12 ³ / ₈	12 ¹ / ₈	8 ³ / ₈
18"	14 ³ / ₈	14 ¹ / ₈	9 ⁷ / ₈
20"	16 ¹ / ₂	16	11 ¹ / ₄
22"	17 ¹ / ₂	17	12
24"	19 ¹ / ₂	19	13 ³ / ₈



DuraCast™ Round Non-Tapered Knee-Wall Columns

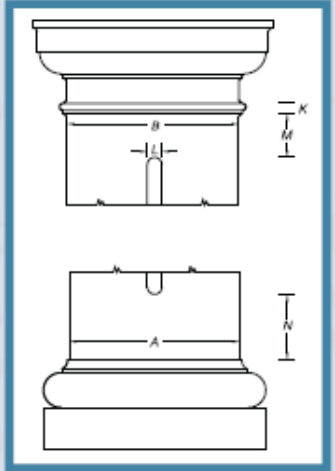
Plain

Column Size	Bottom Shaft Diameter	Neck Shaft Diameter	Bead	Load-Bearing Capacity* (in lbs.)	Minimum Wall Thickness	Length (in feet)
	A	B	K			
8"	7 ³ / ₈	7 ³ / ₈	1	10,000	³ / ₈	Up to 6
10"	9 ³ / ₈	9 ³ / ₈	1	14,000	³ / ₈	Up to 6
12"	11 ³ / ₈	11 ³ / ₈	1	18,000	³ / ₈	Up to 6
14"	13 ³ / ₈	13 ³ / ₈	1 ¹ / ₈	20,000	¹ / ₂	Up to 6
16"	15 ³ / ₈	15 ³ / ₈	1 ³ / ₈	20,000	¹ / ₂	Up to 6
18"	17 ³ / ₈	17 ³ / ₈	1 ³ / ₈	20,000	¹ / ₂	Up to 6
20"	20	20	1 ³ / ₈	20,000	¹ / ₂	Up to 6
22"	22	22	1 ³ / ₈	20,000	³ / ₈	Up to 6
24"	24	24	1 ³ / ₄	20,000	³ / ₈	Up to 6



Fluted

Column Size	Bottom Shaft Diameter	Neck Shaft Diameter	Bead	Flute Width	Top Flute	Bottom Flute	No. Flutes	Load-Bearing Capacity* (in lbs.)	Minimum Wall Thickness	Length (in feet)
	A	B	K	L	M	N				
8"	7 ³ / ₈	7 ³ / ₈	1	¹¹ / ₁₆	1	10 ³ / ₄	24	10,000	³ / ₈	Up to 6
10"	9 ³ / ₈	9 ³ / ₈	1	⁷ / ₈	1	10 ³ / ₄	24	14,000	³ / ₈	Up to 6
12"	11 ³ / ₈	11 ³ / ₈	1	1	1	10 ³ / ₄	24	18,000	³ / ₈	Up to 6
14"	13 ³ / ₈	13 ³ / ₈	1 ¹ / ₈	1	1	10 ³ / ₄	24	20,000	¹ / ₂	Up to 6
16"	15 ³ / ₈	15 ³ / ₈	1 ³ / ₈	¹ / ₄	¹ / ₄	10 ³ / ₄	24	20,000	¹ / ₂	Up to 6
18"	17 ³ / ₈	17 ³ / ₈	1 ³ / ₈	¹ / ₈	¹ / ₄	10 ³ / ₄	24	20,000	¹ / ₂	Up to 6
20"	20	20	1 ³ / ₈	¹ / ₈	¹ / ₄	10 ³ / ₄	24	20,000	¹ / ₂	Up to 6
22"	22	22	1 ³ / ₈	¹ / ₄	¹ / ₄	10 ³ / ₄	24	20,000	³ / ₈	Up to 6
24"	24	24	1 ³ / ₄	¹ / ₄	¹ / ₄	10 ³ / ₄	24	20,000	³ / ₈	Up to 6



Tuscan Cap & Base/Plinth

for DuraCast™ Round Non-Tapered Columns

Full Length & Knee-Wall

Column Size	Plinth		Base Mold	Cap Square		Cap Round
	Width	Height		Width	Height	
	C	D	E	F	G	H
8" *	10 ¹ / ₄	1 ⁷ / ₈	2 ¹ / ₂	11 ¹ / ₄	1 ³ / ₄	1 ¹ / ₄
10" *	12 ³ / ₄	2 ¹ / ₂	3	14 ³ / ₈	2 ¹ / ₈	1 ¹ / ₂
12" *	15 ¹ / ₈	2 ⁷ / ₈	3 ¹ / ₄	16 ³ / ₈	2 ⁷ / ₁₆	1 ⁵ / ₈
14" *	18 ³ / ₈	3 ³ / ₈	4 ¹ / ₈	20	2 ³ / ₄	1 ⁷ / ₈
16" *	21 ³ / ₈	4	4 ³ / ₈	21 ¹ / ₄	3 ¹ / ₄	2 ¹ / ₄
18" *	24 ¹ / ₈	4 ³ / ₁₆	5 ¹ / ₂	26 ¹ / ₂	3 ³ / ₄	2 ¹ / ₂
20" *	27	4 ³ / ₄	6	28 ³ / ₄	4 ¹ / ₈	2 ³ / ₄
22" *	29 ³ / ₄	5 ¹ / ₄	6 ⁷ / ₈	31 ¹ / ₂	4 ³ / ₈	3
24" **	32 ¹ / ₂	5 ³ / ₄	7 ¹ / ₂	33 ³ / ₈	4 ³ / ₄	3 ¹ / ₄

* Manufactured from polyurethane.

** Cap Manufactured from fiberglass and Base/Plinth Manufactured from polyurethane.

NOTE:

- Tuscan Cap and Base/Plinth are the standard components for DuraCast™ Columns.
- All Caps and Base/Plinths are non-vented.
- All Caps and Base/Plinths are sold separately from the column.

