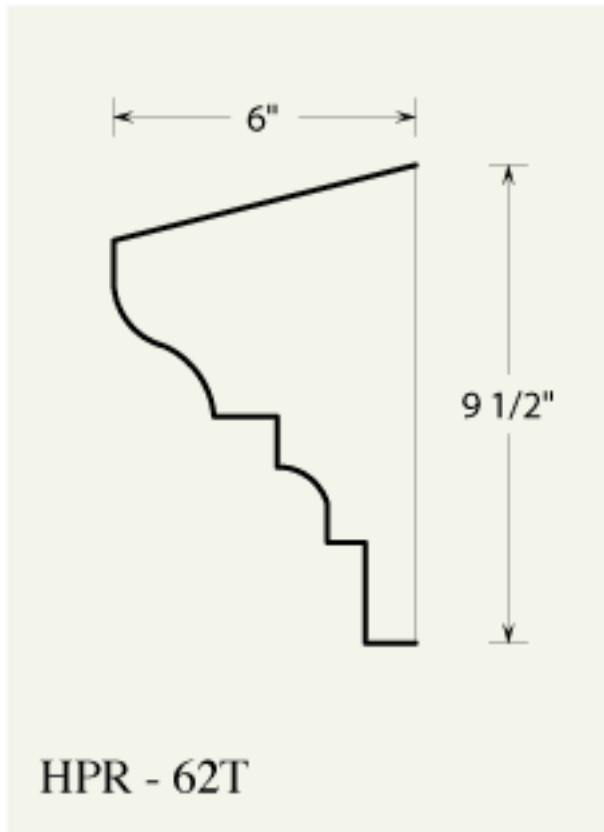
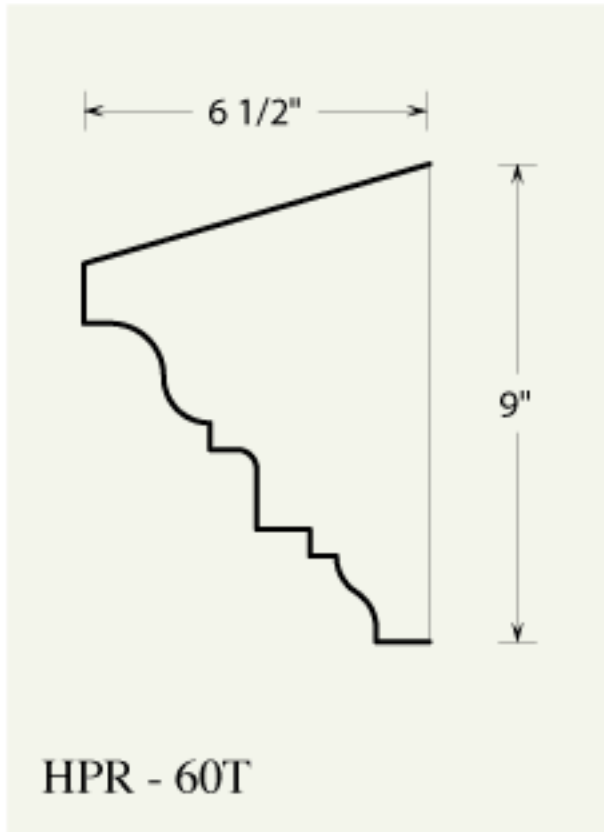
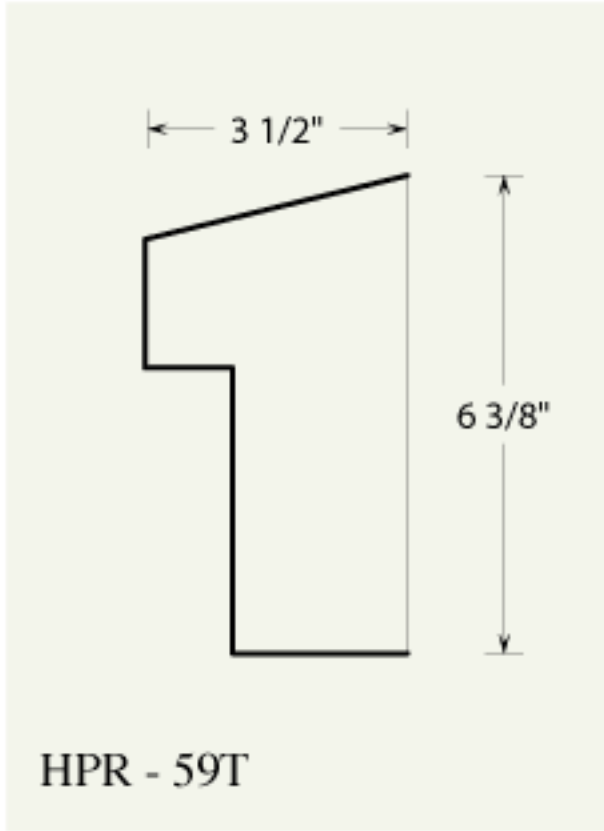
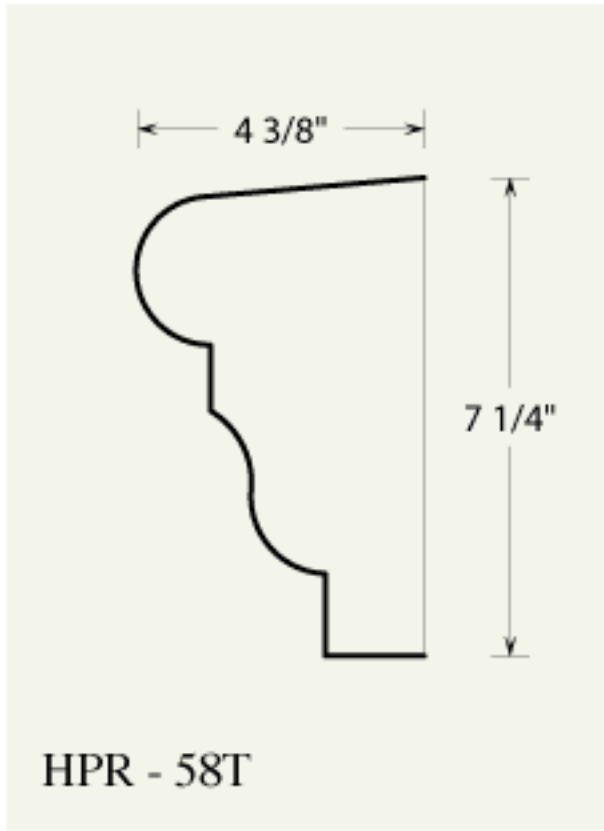


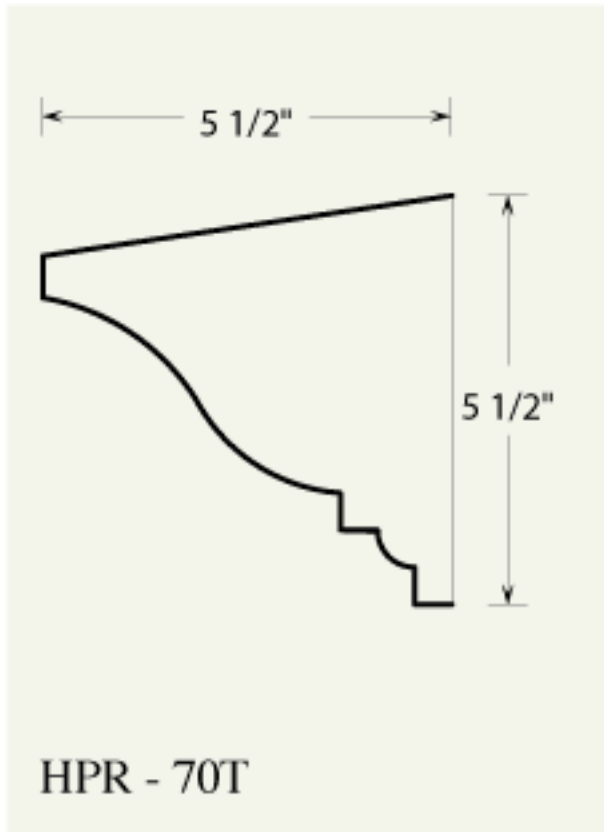
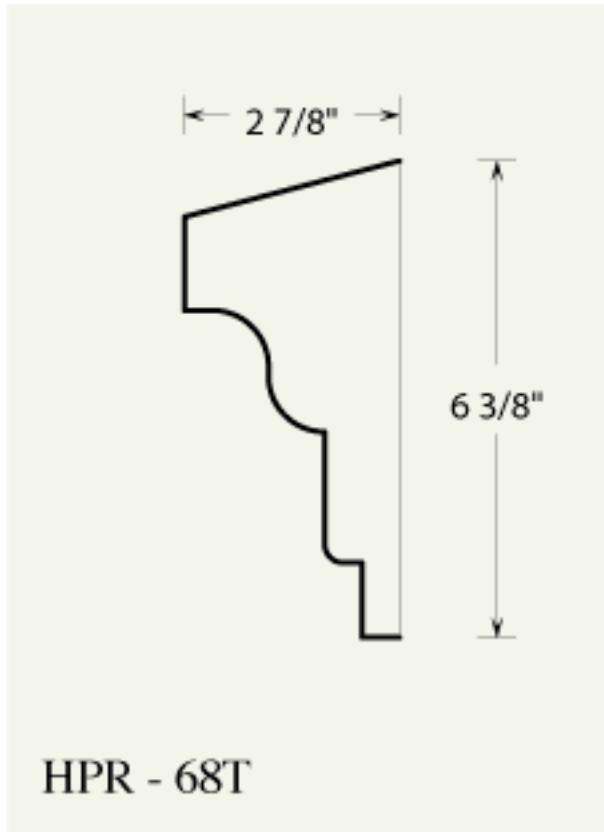
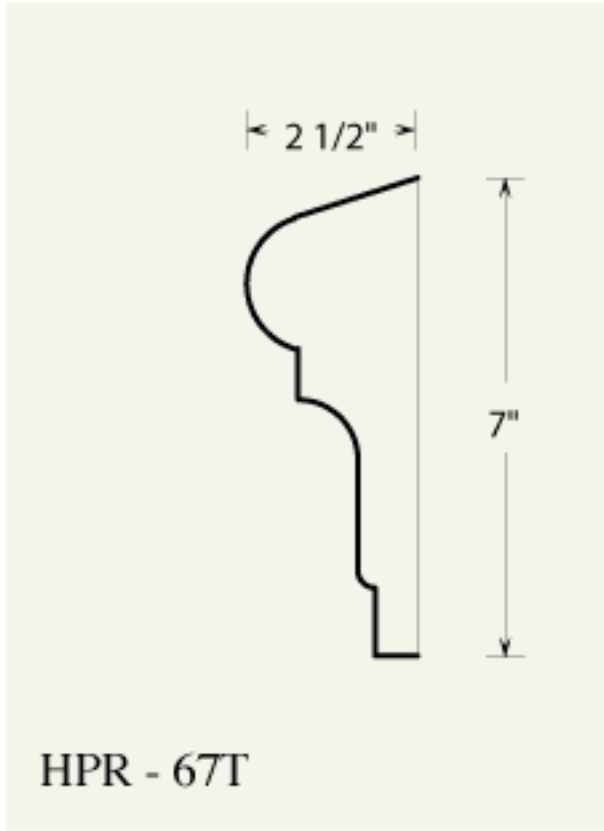
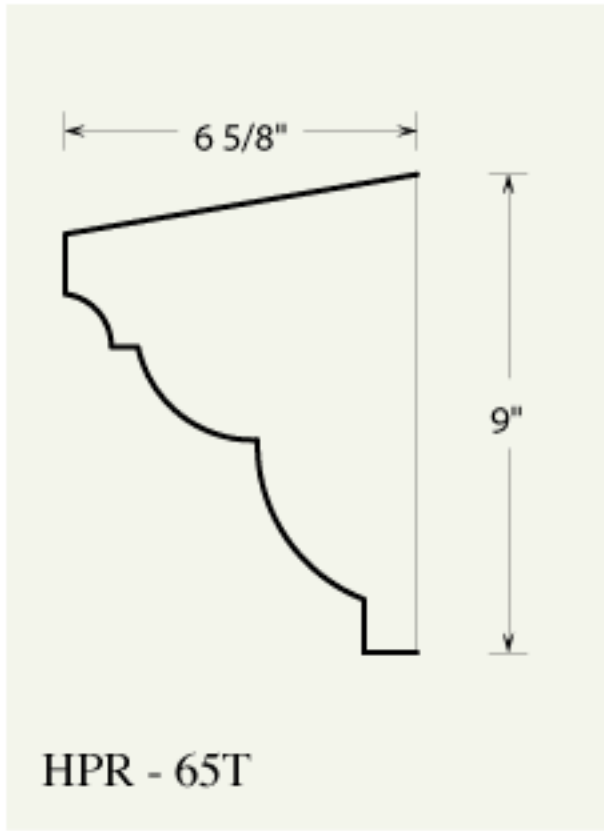
Architectural Mall, Inc
642 W Winthrop Ave
Addison, IL 60101

T. 877-279-9993
F. 877-271-9994
E. sales@architecturalmall.com



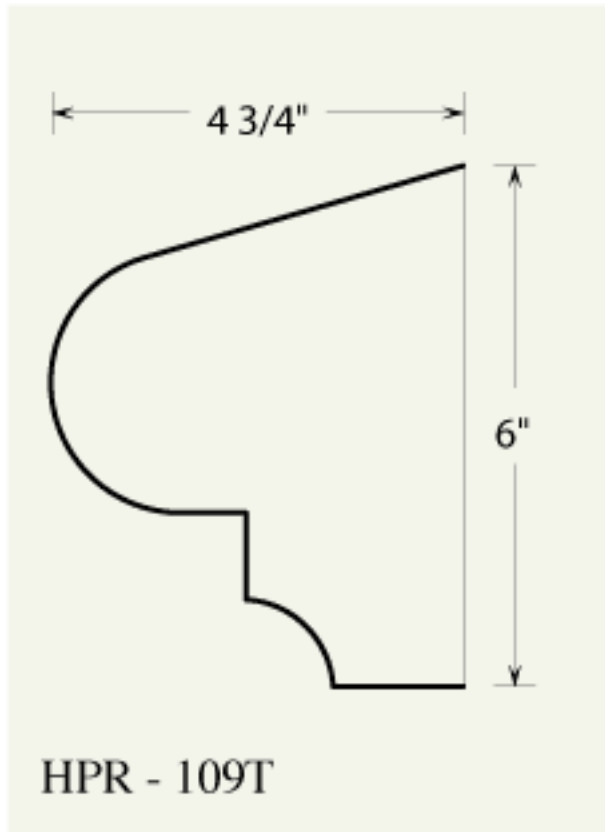
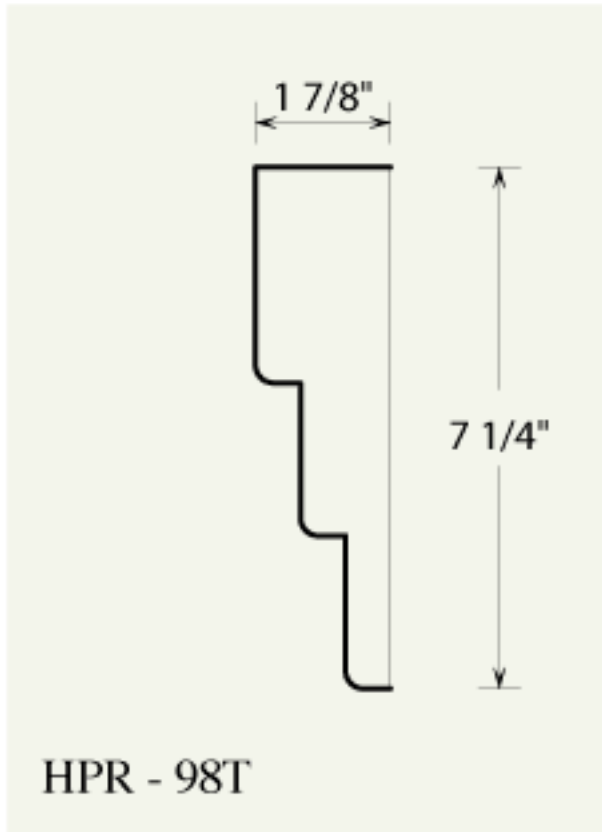
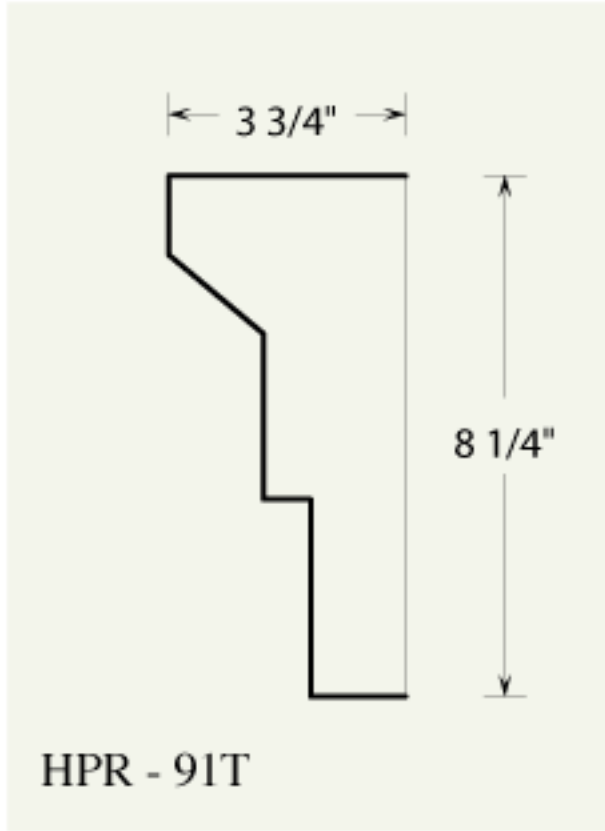
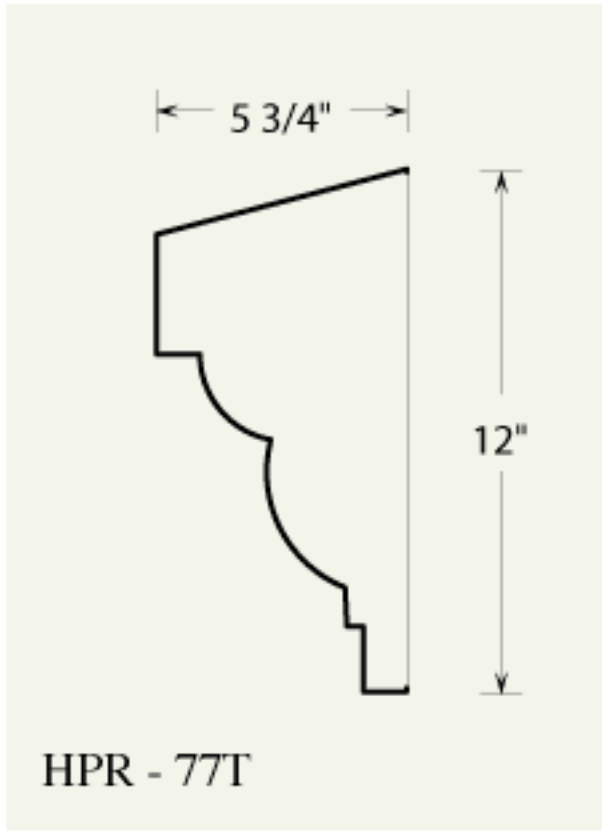
Architectural Mall, Inc
642 W Winthrop Ave
Addison, IL 60101

T. 877-279-9993
F. 877-271-9994
E. sales@architecturalmall.com



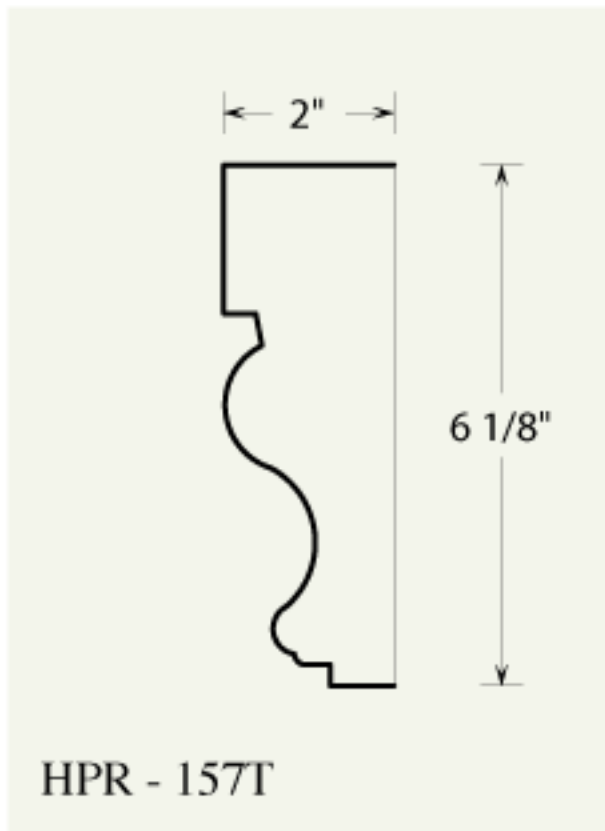
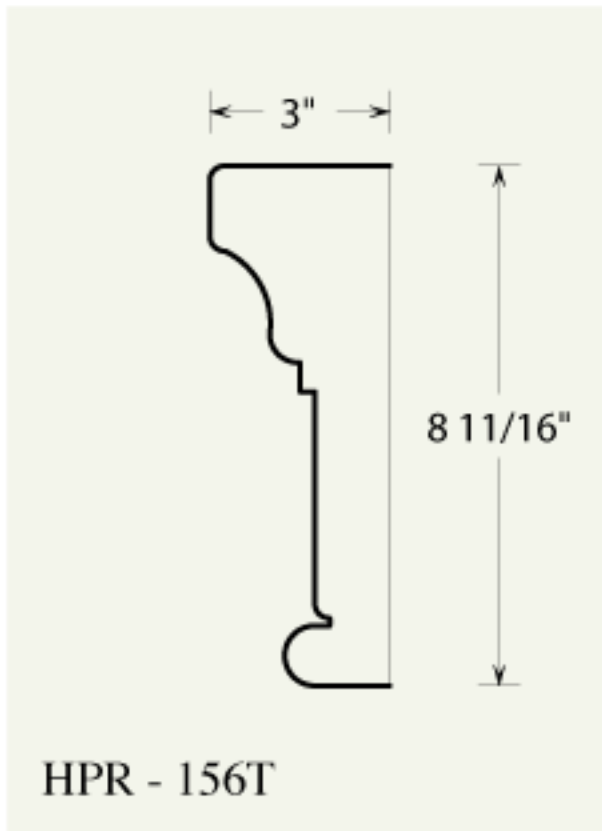
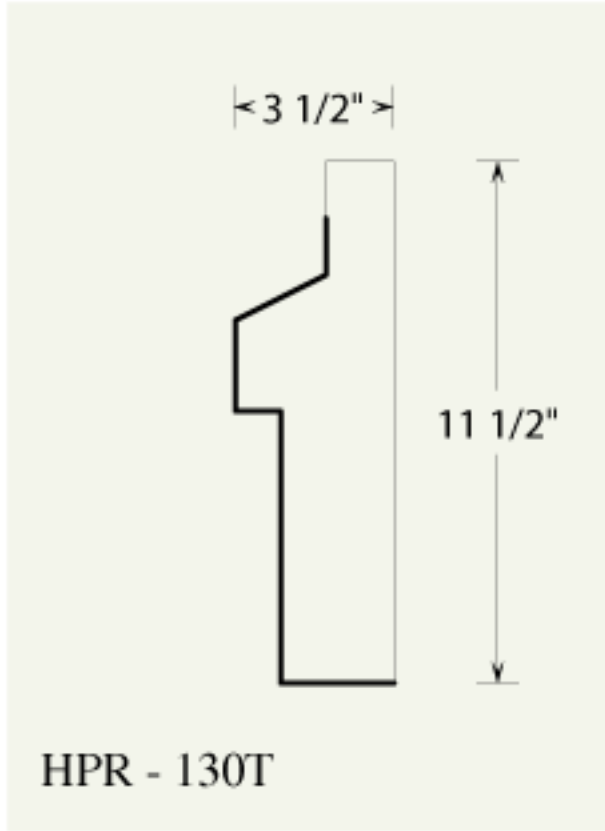
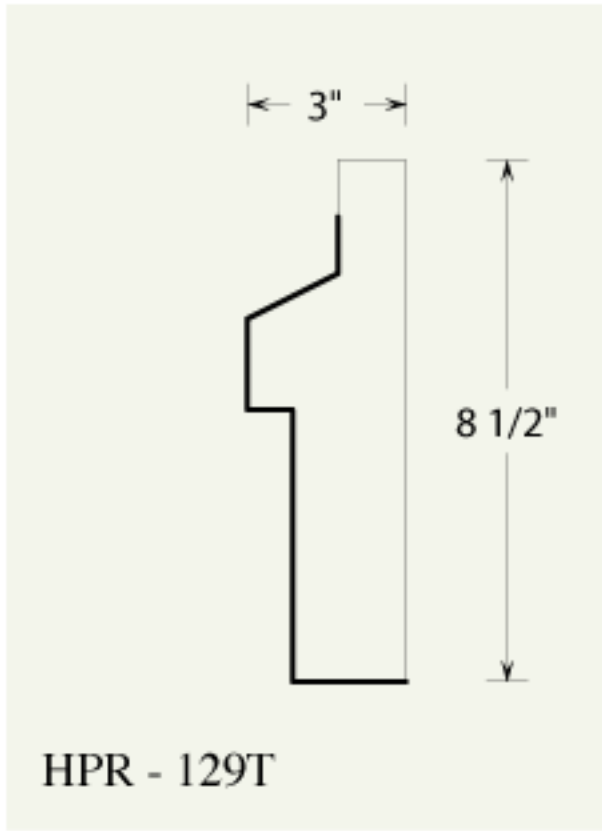
Architectural Mall, Inc
642 W Winthrop Ave
Addison, IL 60101

T. 877-279-9993
F. 877-271-9994
E. sales@architecturalmall.com



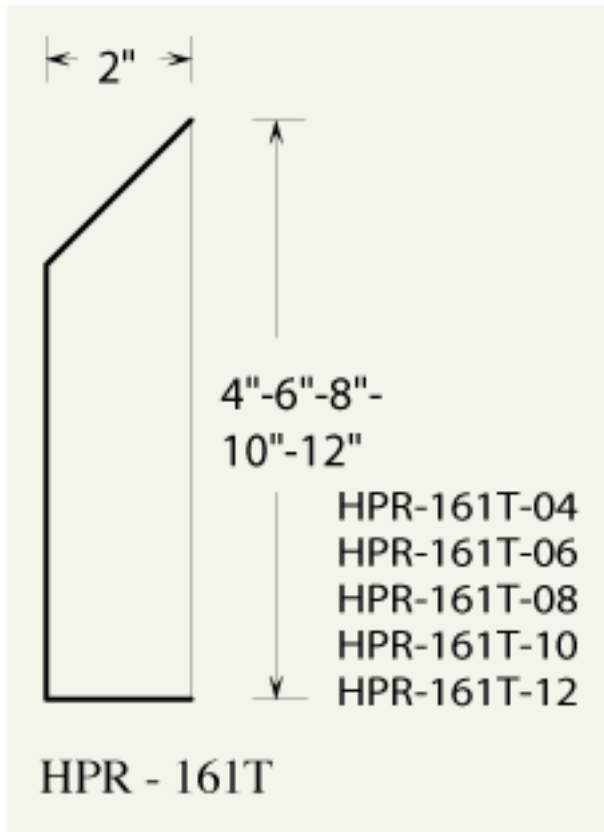
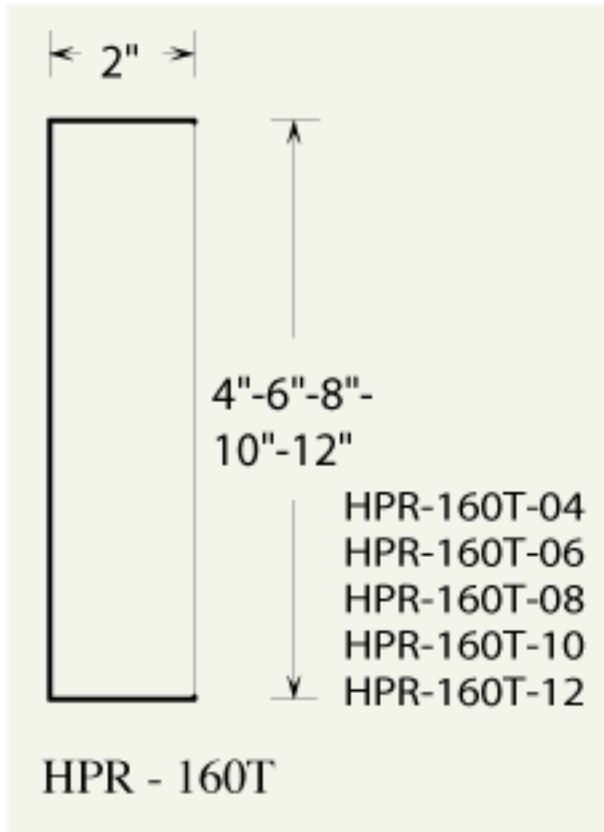
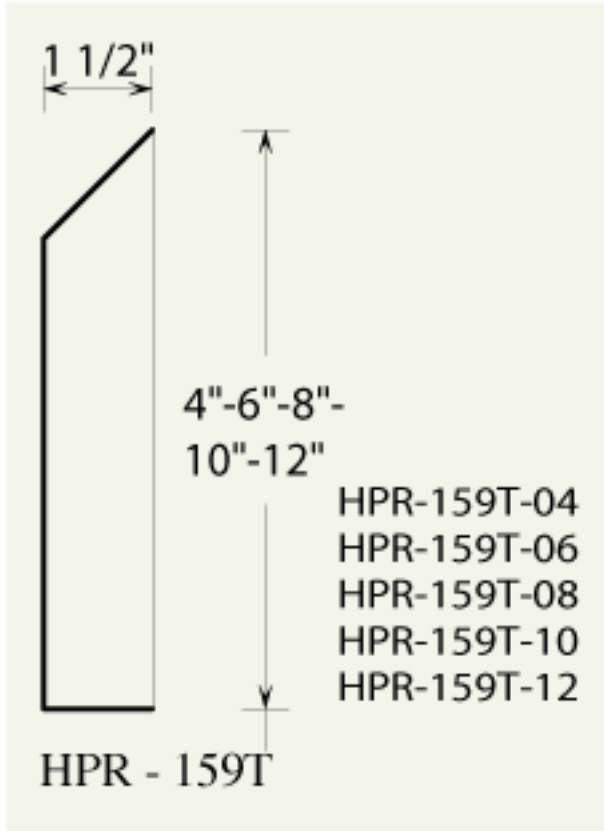
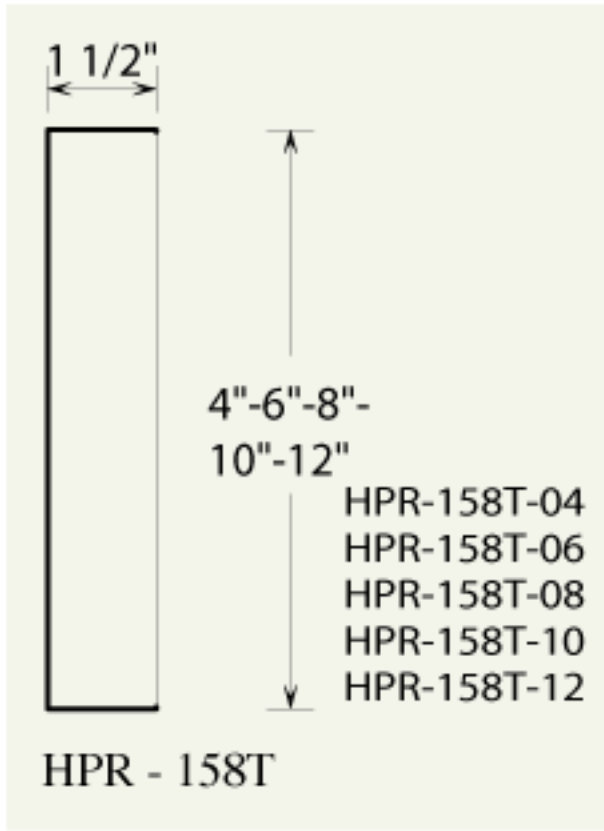
Architectural Mall, Inc
642 W Winthrop Ave
Addison, IL 60101

T. 877-279-9993
F. 877-271-9994
E. sales@architecturalmall.com



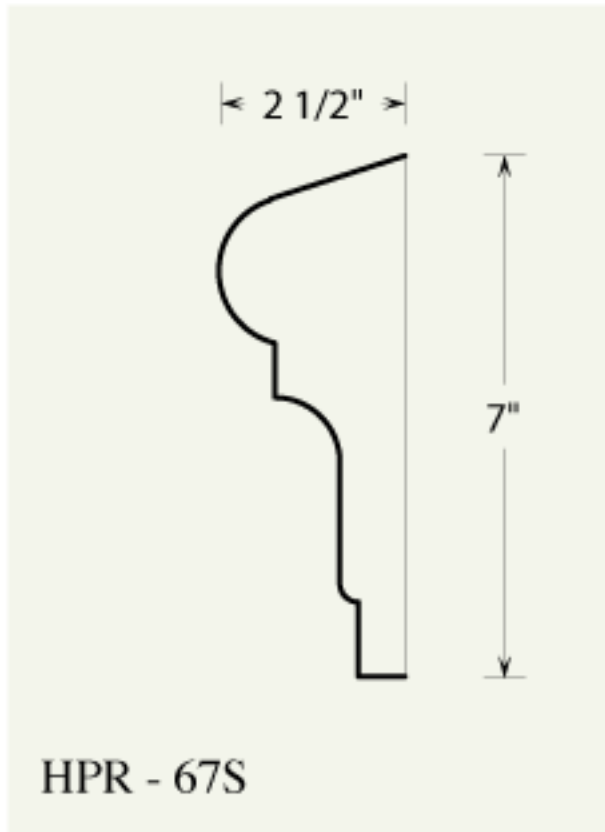
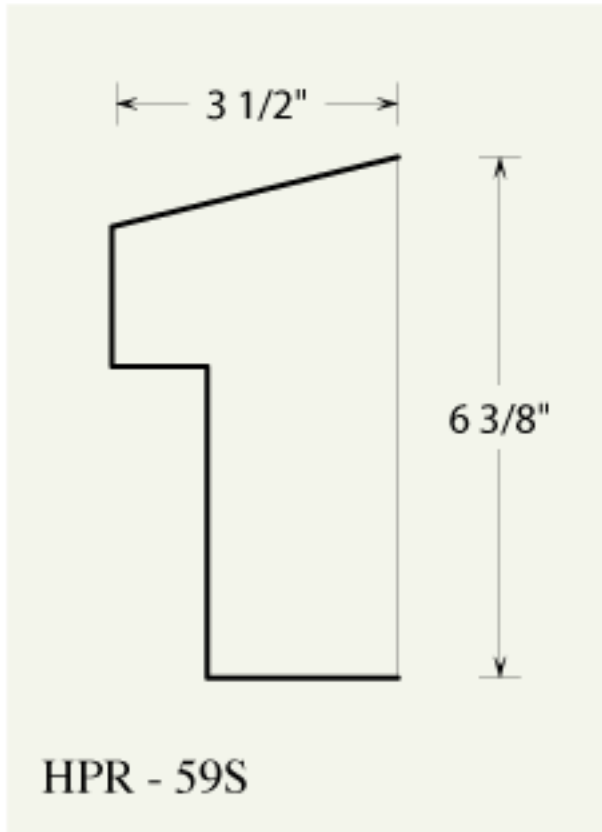
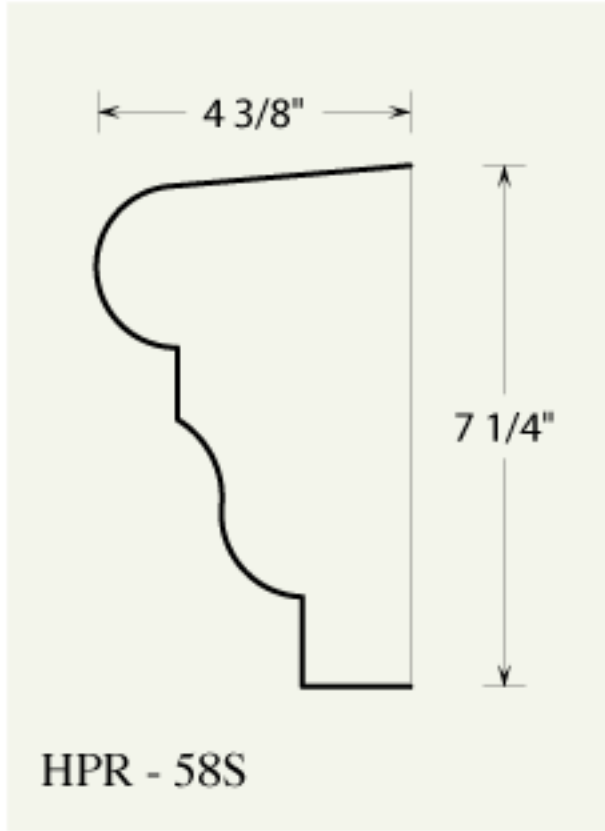
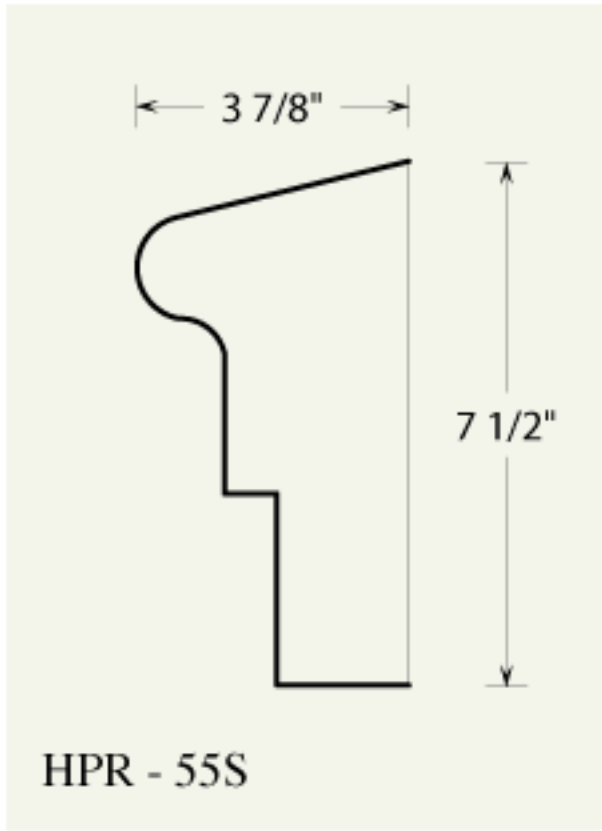
Architectural Mall, Inc
642 W Winthrop Ave
Addison, IL 60101

T. 877-279-9993
F. 877-271-9994
E. sales@architecturalmall.com



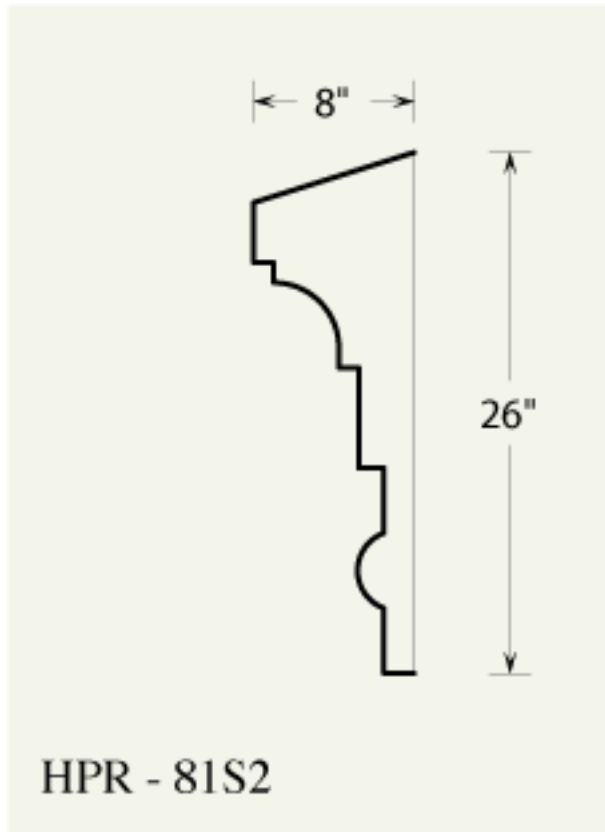
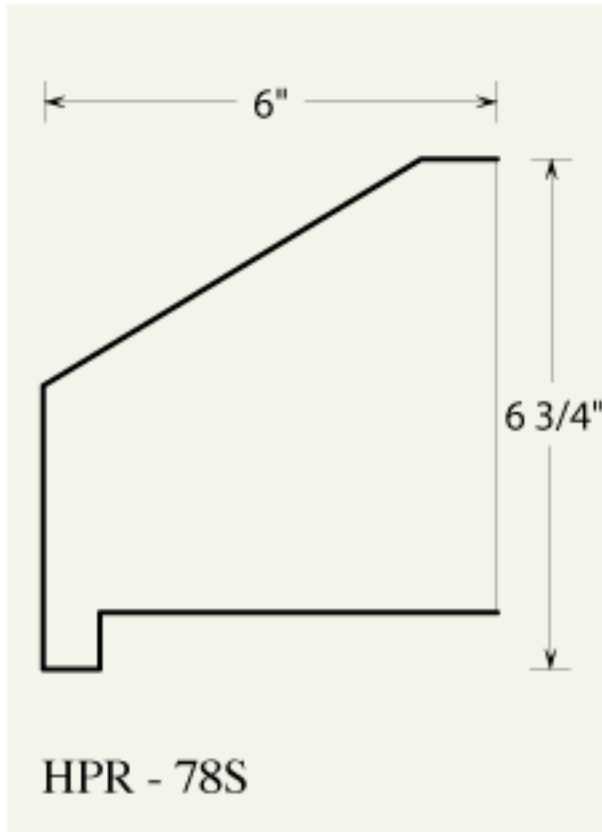
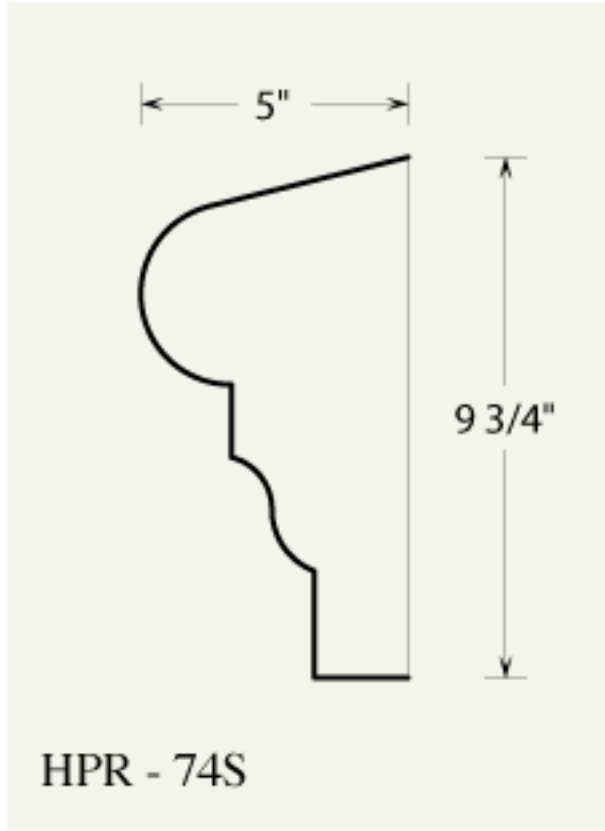
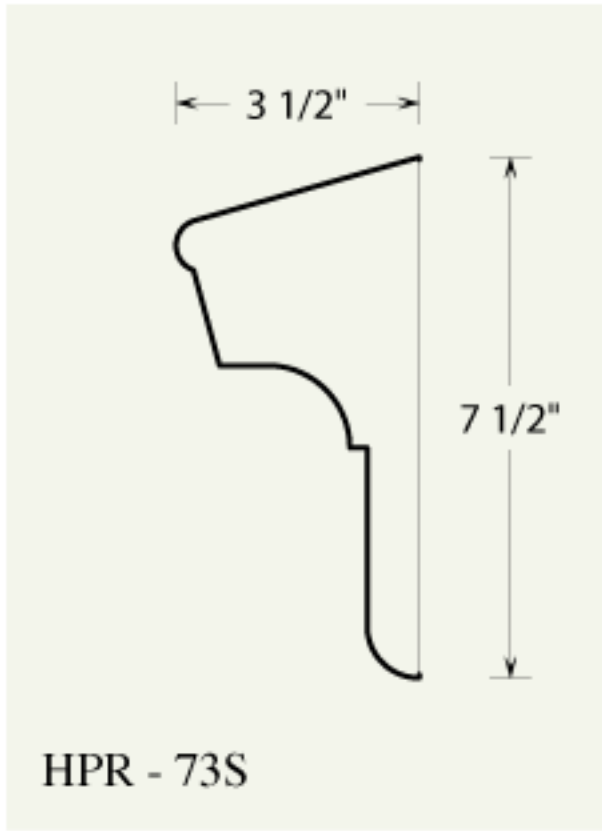
Architectural Mall, Inc
642 W Winthrop Ave
Addison, IL 60101

T. 877-279-9993
F. 877-271-9994
E. sales@architecturalmall.com



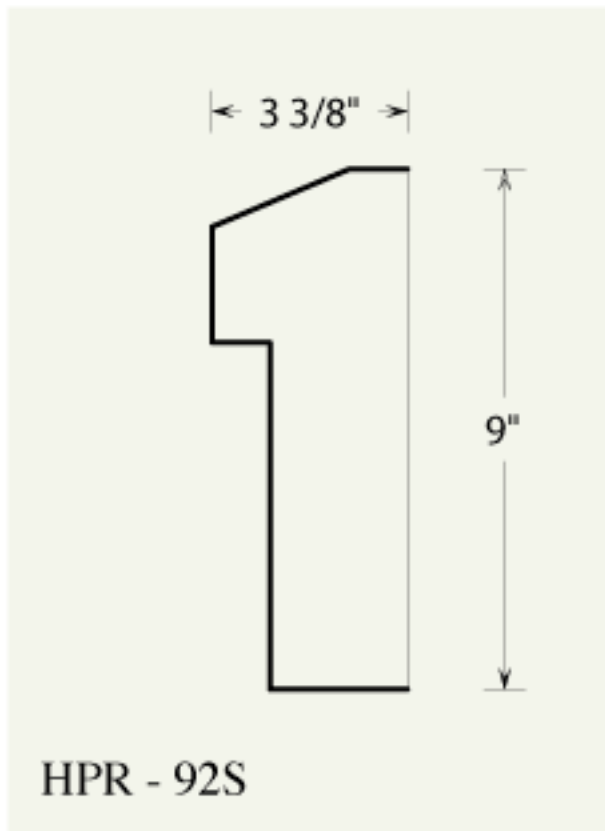
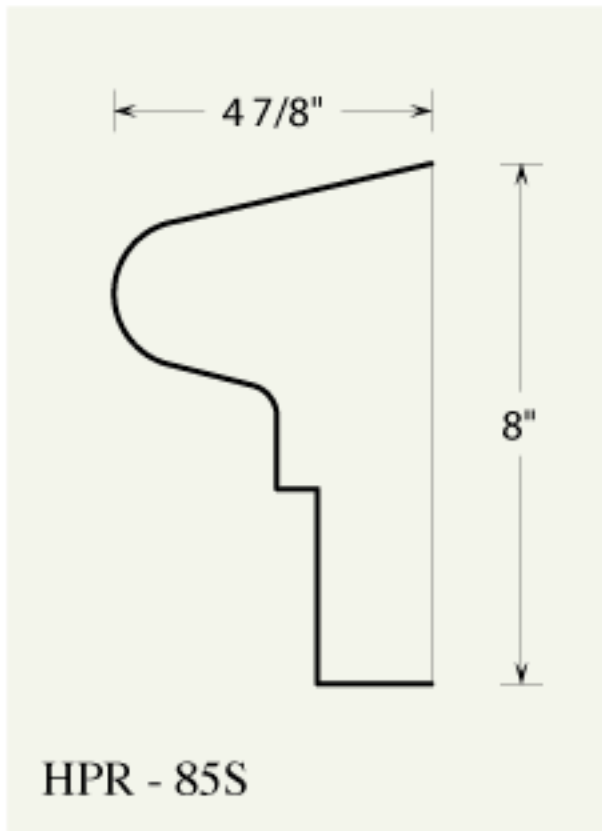
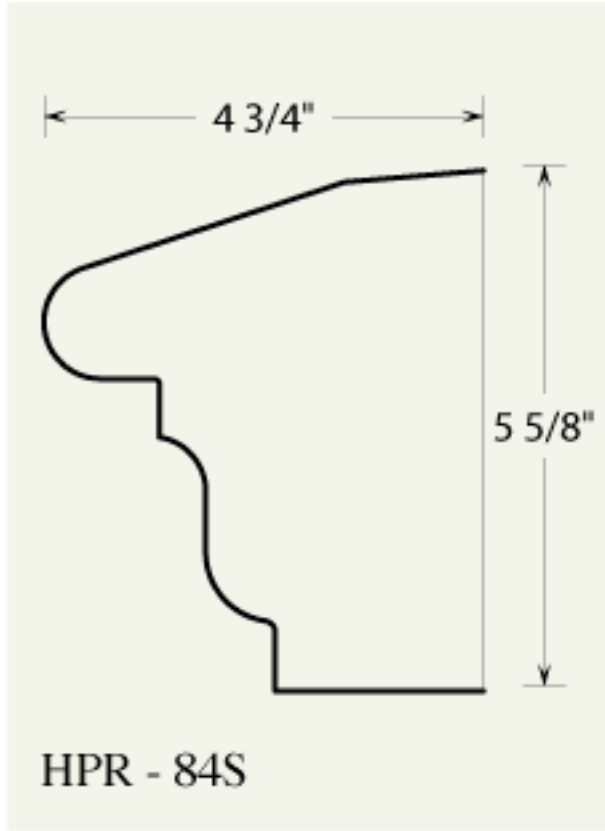
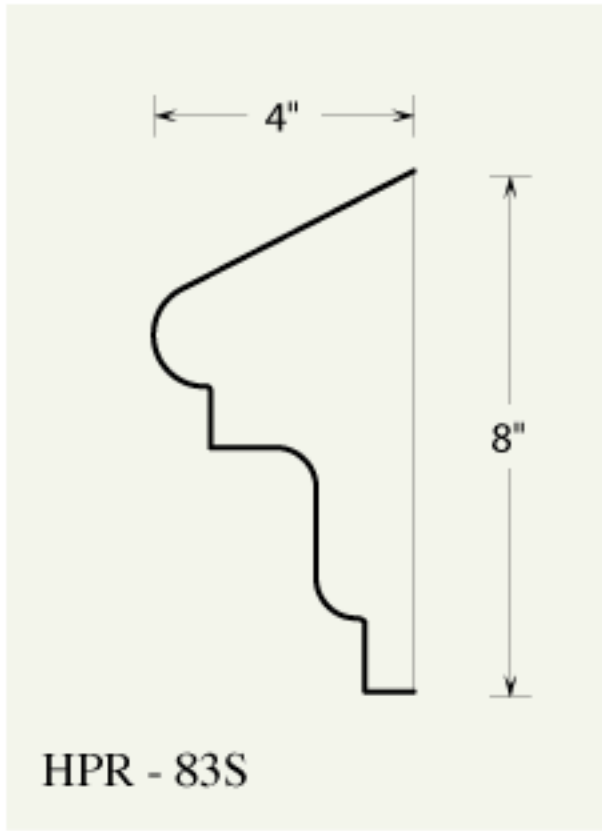
Architectural Mall, Inc
642 W Winthrop Ave
Addison, IL 60101

T. 877-279-9993
F. 877-271-9994
E. sales@architecturalmall.com



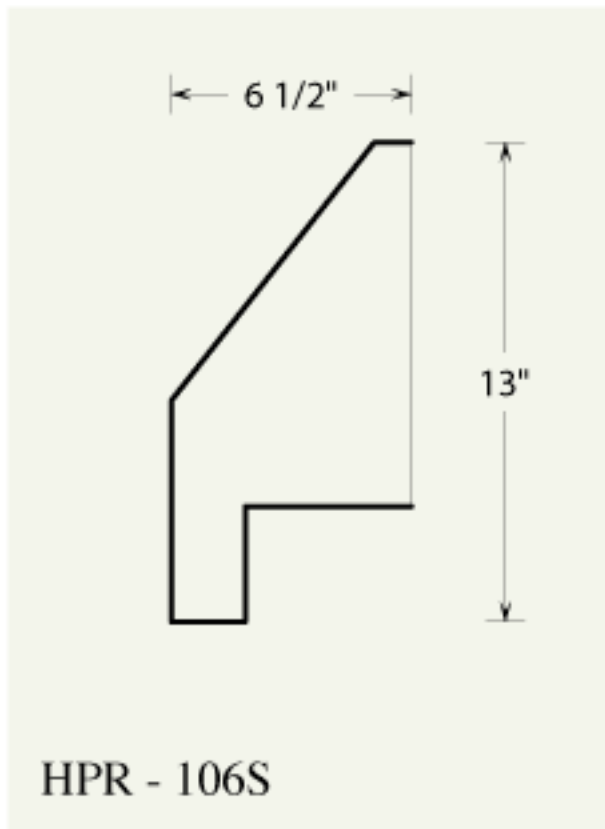
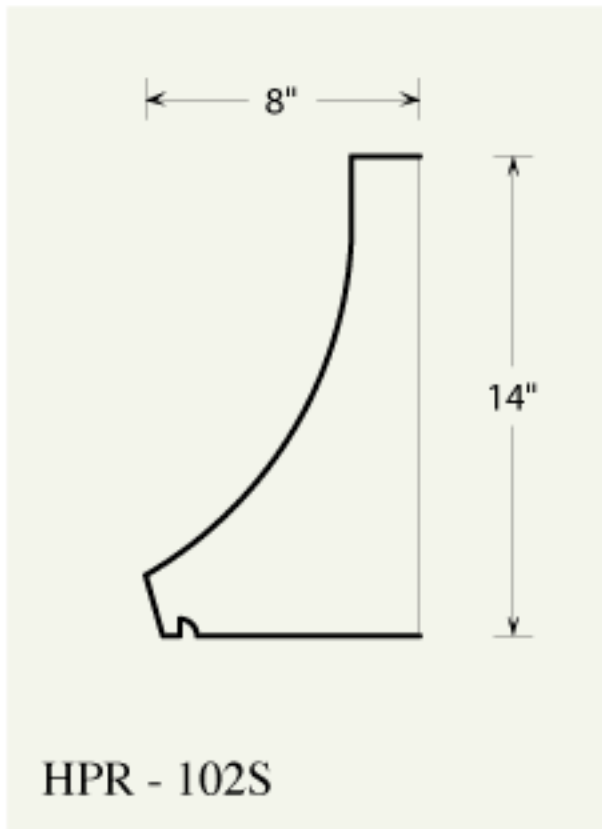
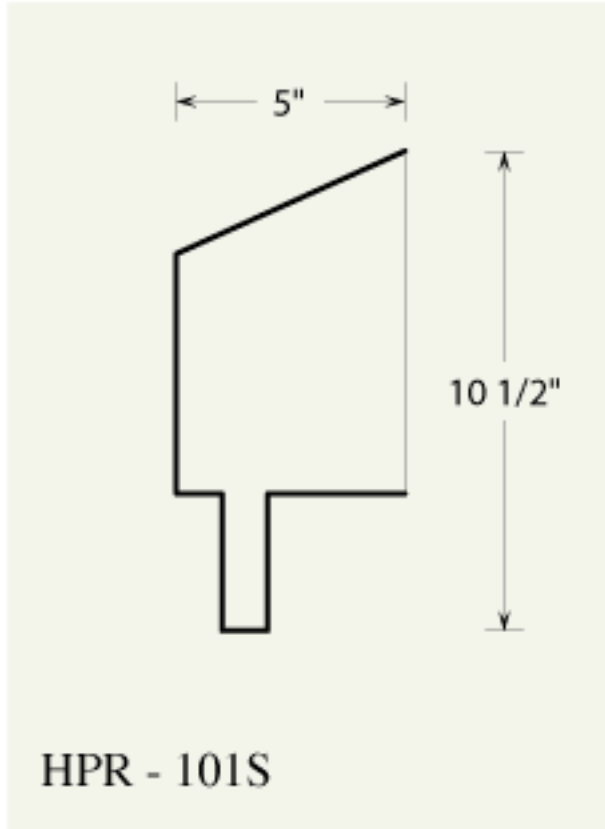
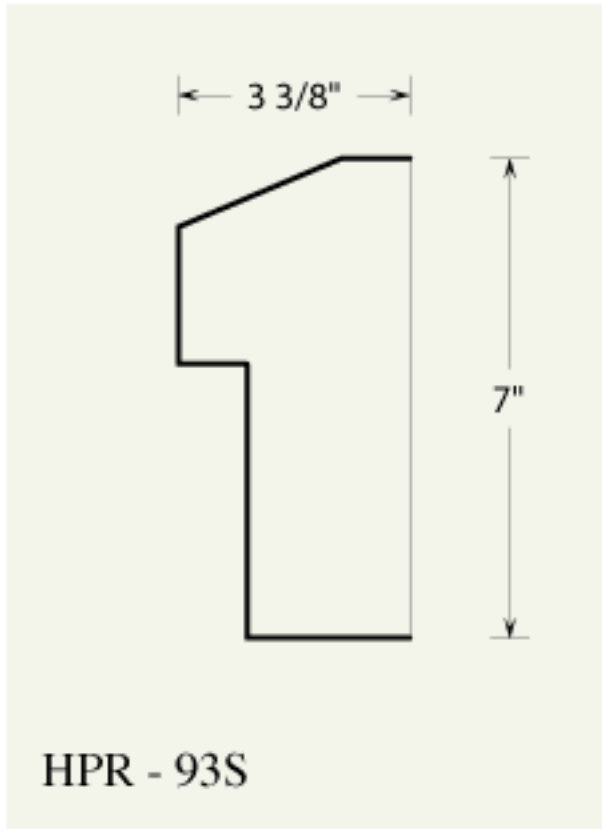
Architectural Mall, Inc
642 W Winthrop Ave
Addison, IL 60101

T. 877-279-9993
F. 877-271-9994
E. sales@architecturalmall.com



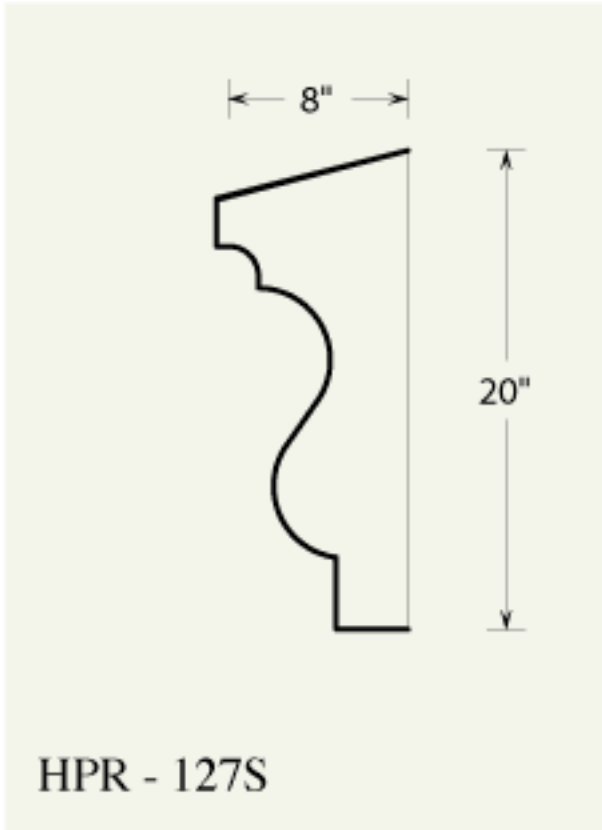
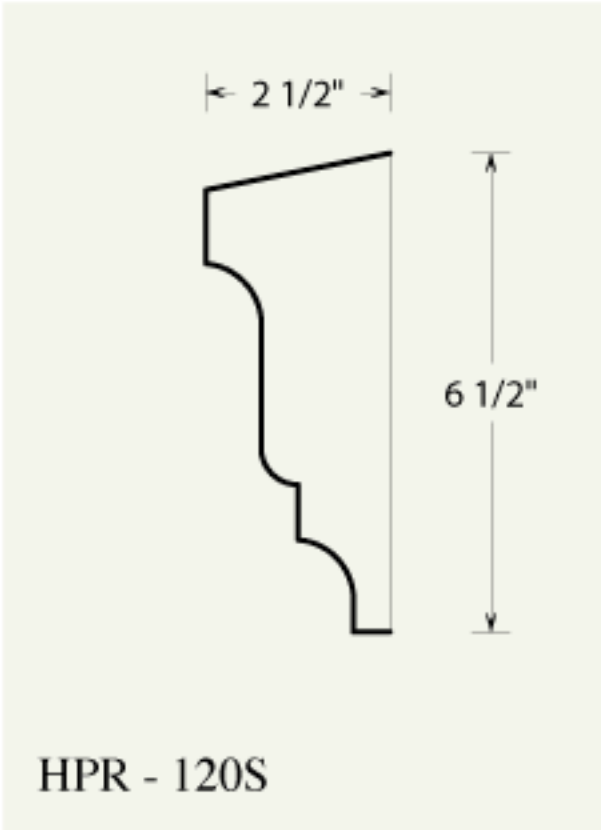
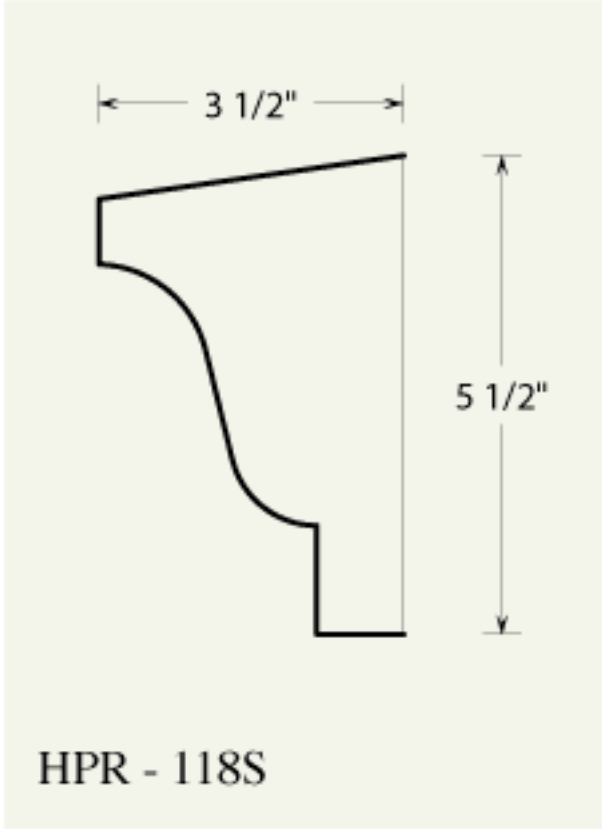
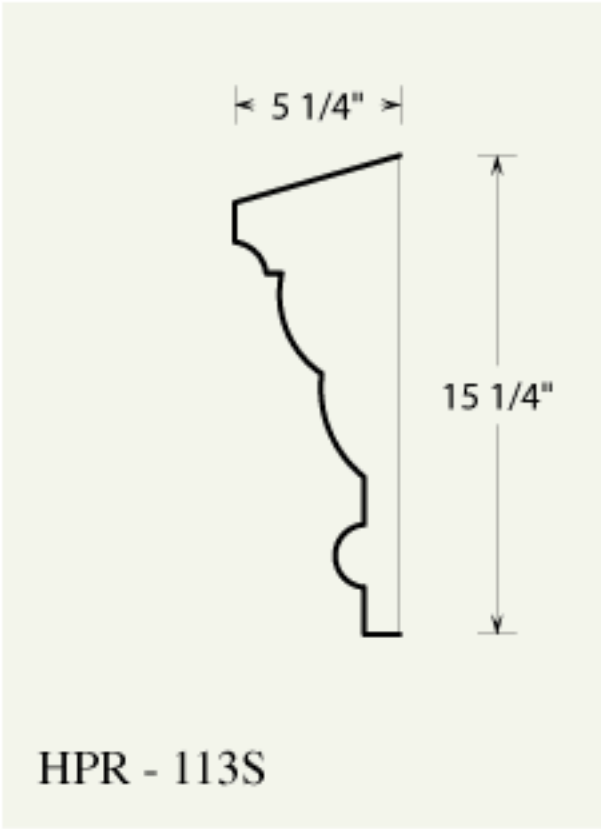
Architectural Mall, Inc
642 W Winthrop Ave
Addison, IL 60101

T. 877-279-9993
F. 877-271-9994
E. sales@architecturalmall.com



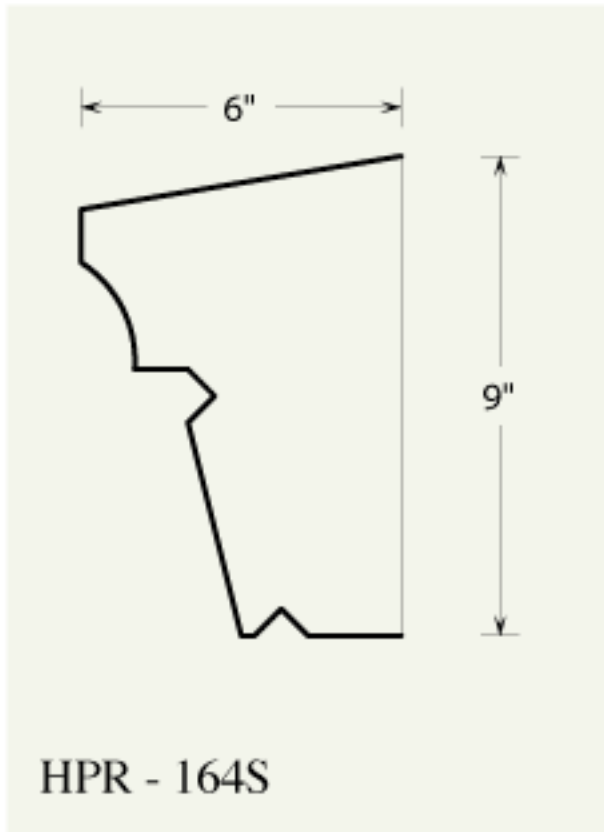
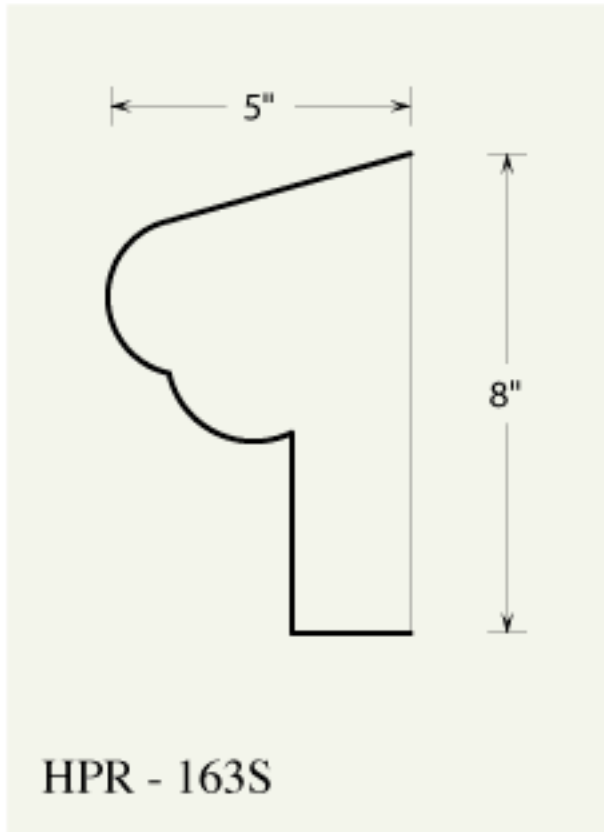
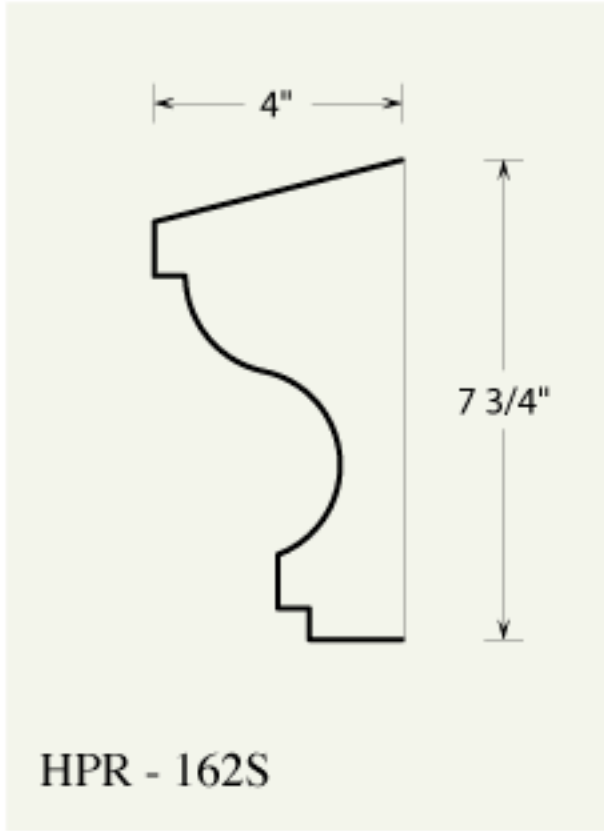
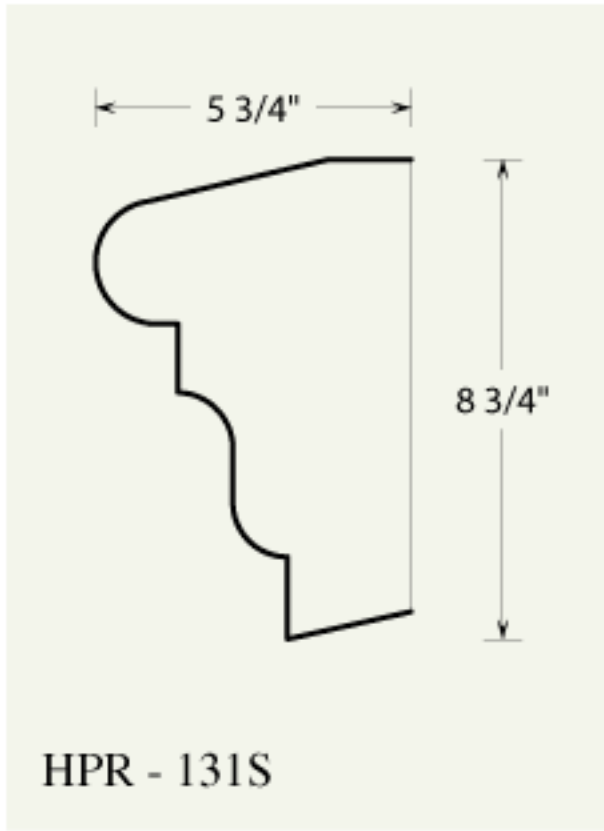
Architectural Mall, Inc
 642 W Winthrop Ave
 Addison, IL 60101

T. 877-279-9993
 F. 877-271-9994
 E. sales@architecturalmall.com



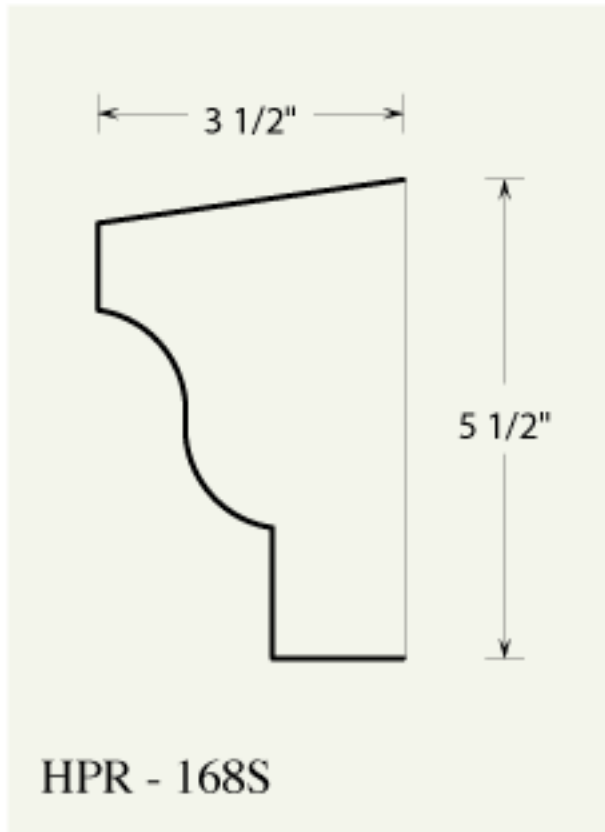
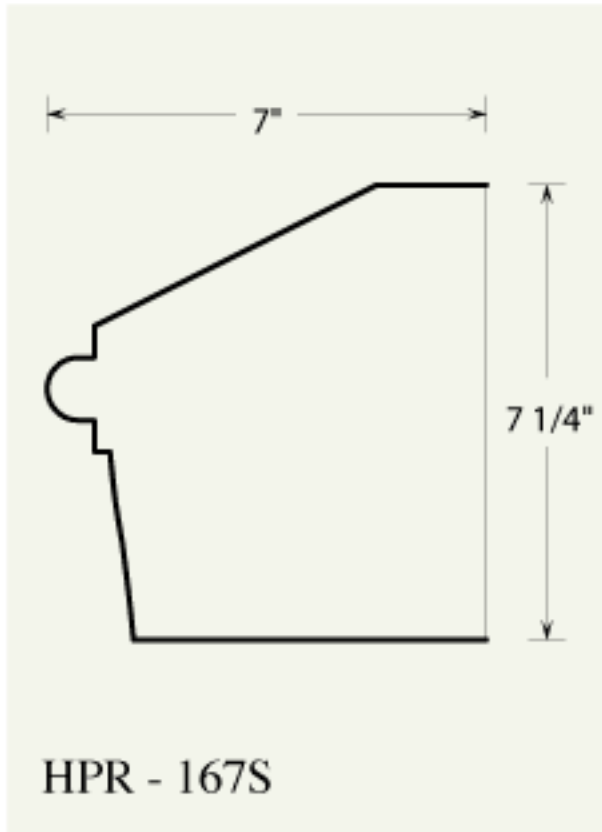
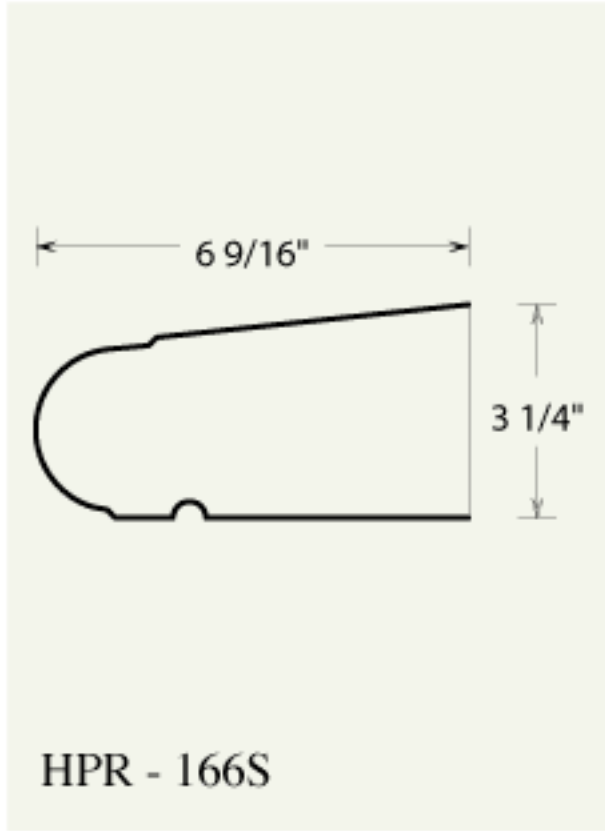
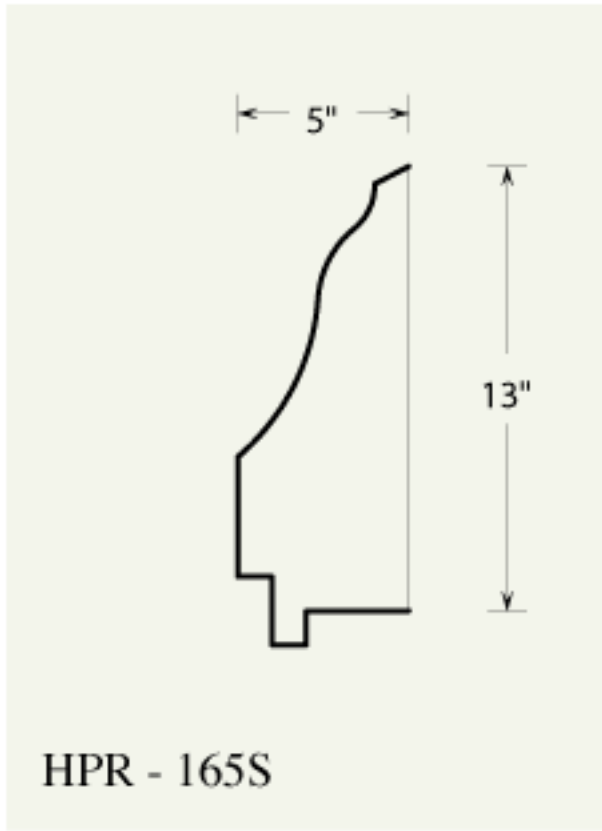
Architectural Mall, Inc
642 W Winthrop Ave
Addison, IL 60101

T. 877-279-9993
F. 877-271-9994
E. sales@architecturalmall.com



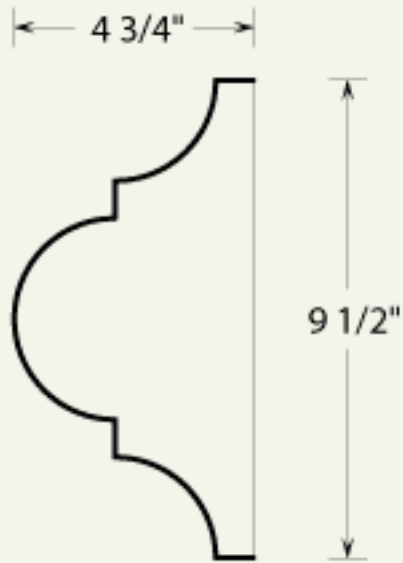
Architectural Mall, Inc
642 W Winthrop Ave
Addison, IL 60101

T. 877-279-9993
F. 877-271-9994
E. sales@architecturalmall.com

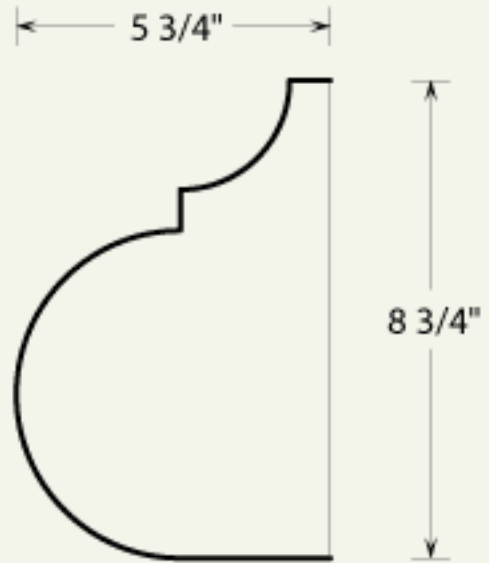


Architectural Mall, Inc
642 W Winthrop Ave
Addison, IL 60101

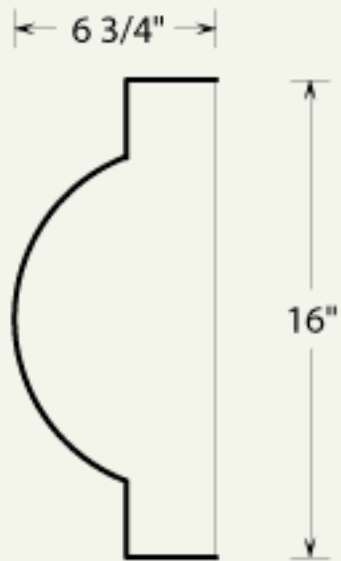
T. 877-279-9993
F. 877-271-9994
E. sales@architecturalmall.com



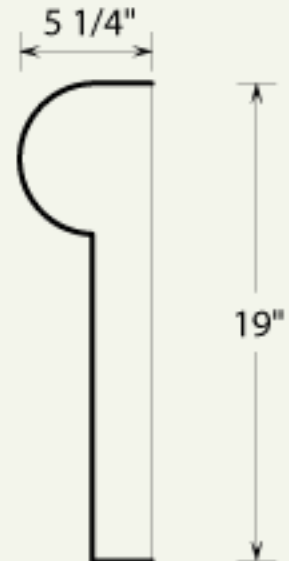
HPR - 50B



HPR - 51B



HPR - 79B



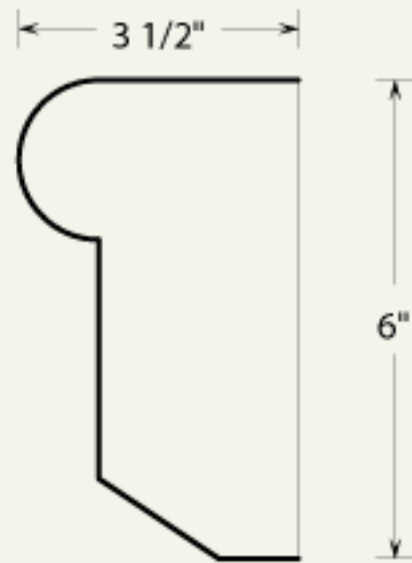
HPR - 80B

Architectural Mall, Inc
642 W Winthrop Ave
Addison, IL 60101

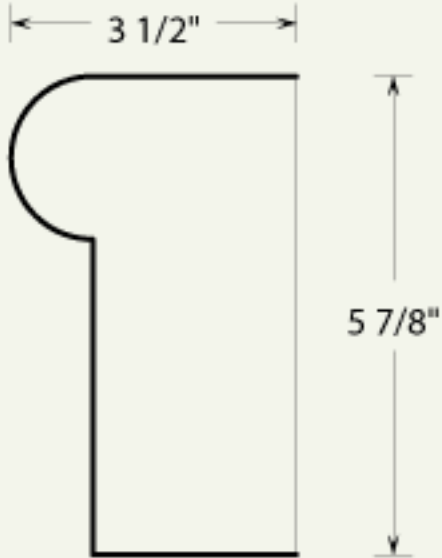
T. 877-279-9993
F. 877-271-9994
E. sales@architecturalmall.com



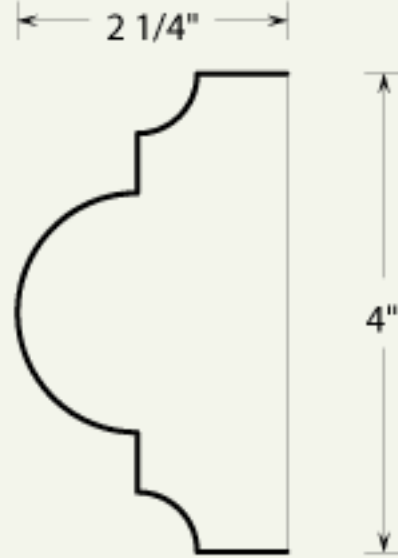
HPR - 87B



HPR - 89B



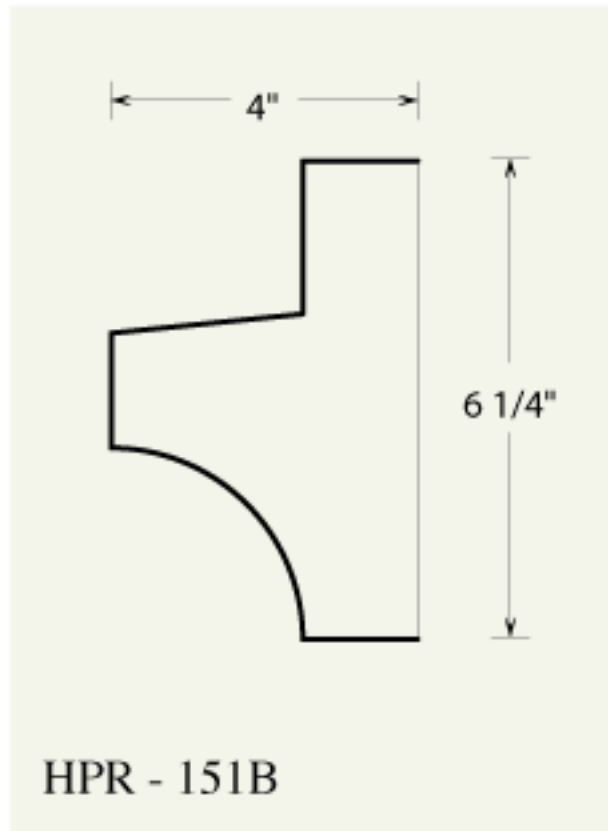
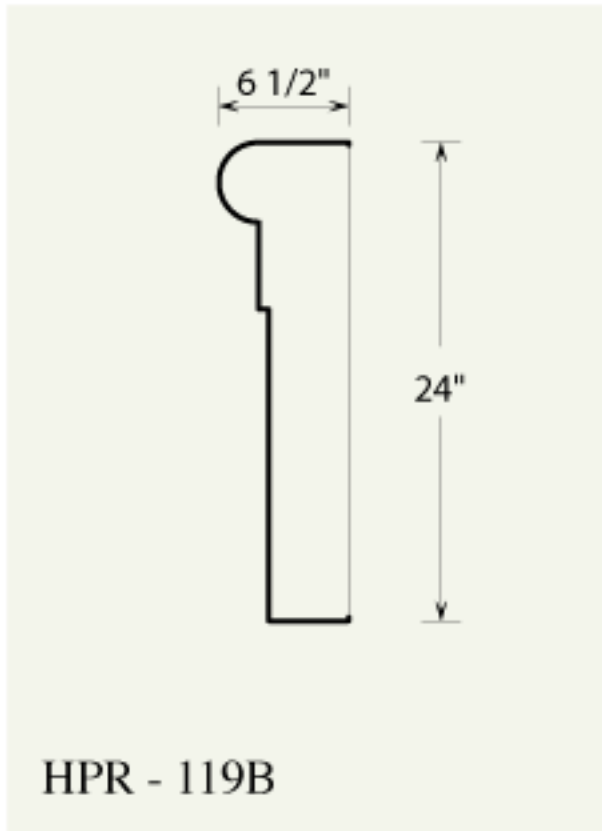
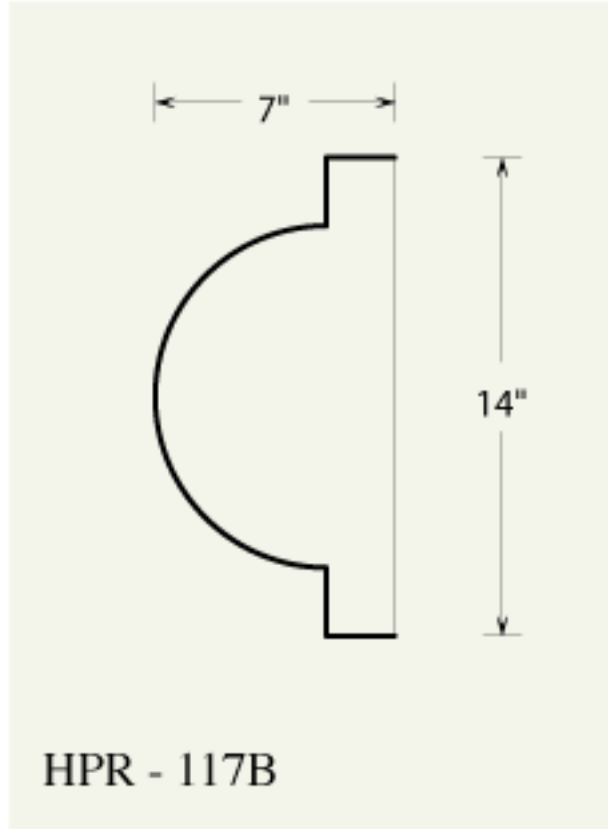
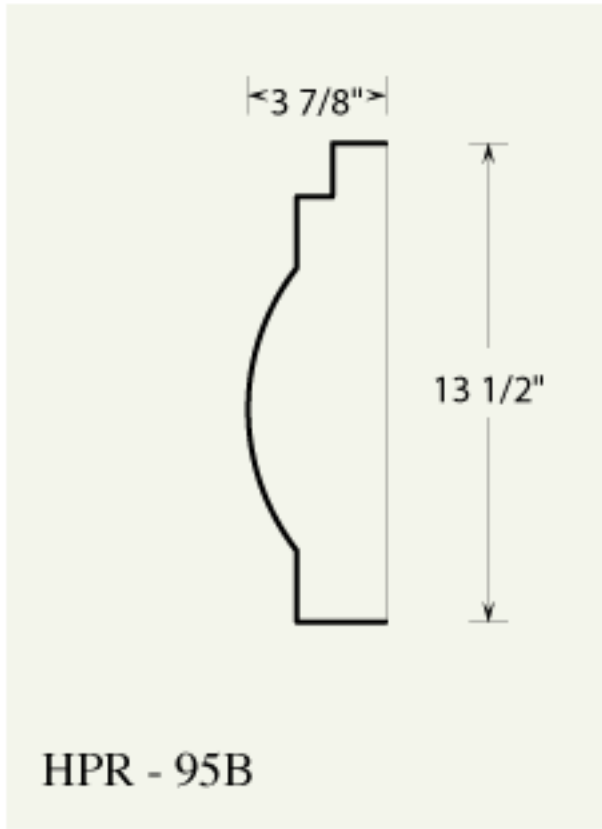
HPR - 90B



HPR - 94B

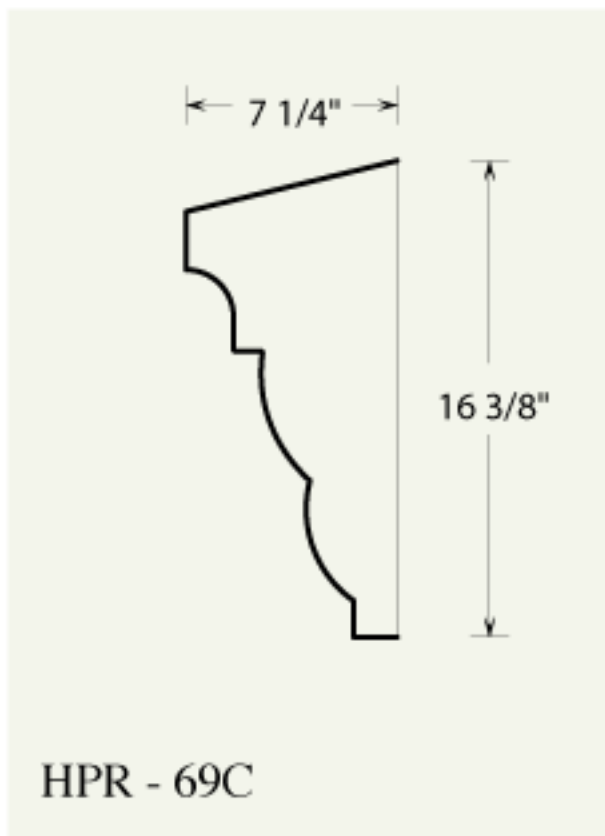
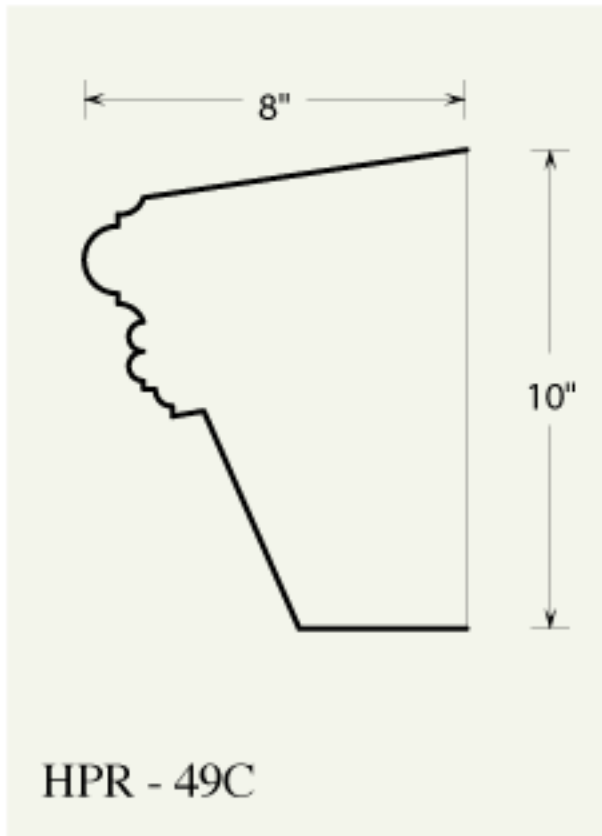
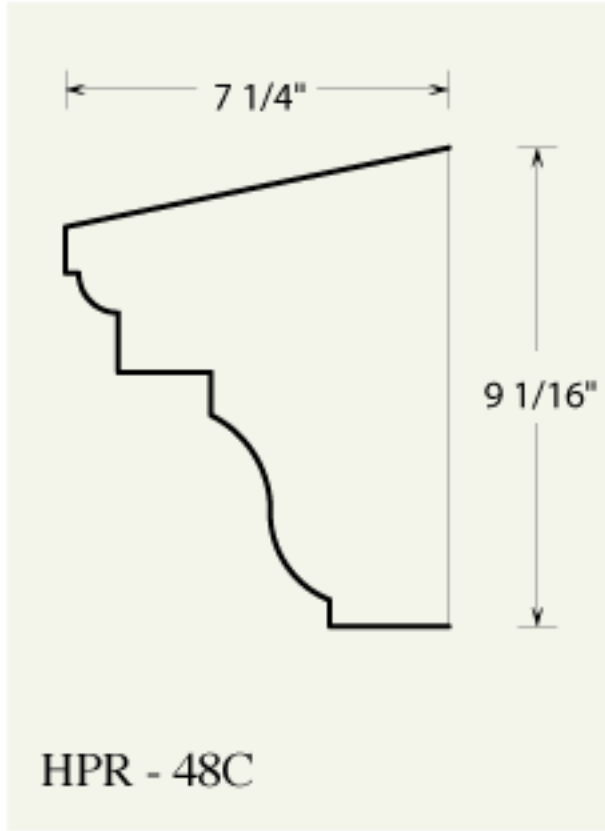
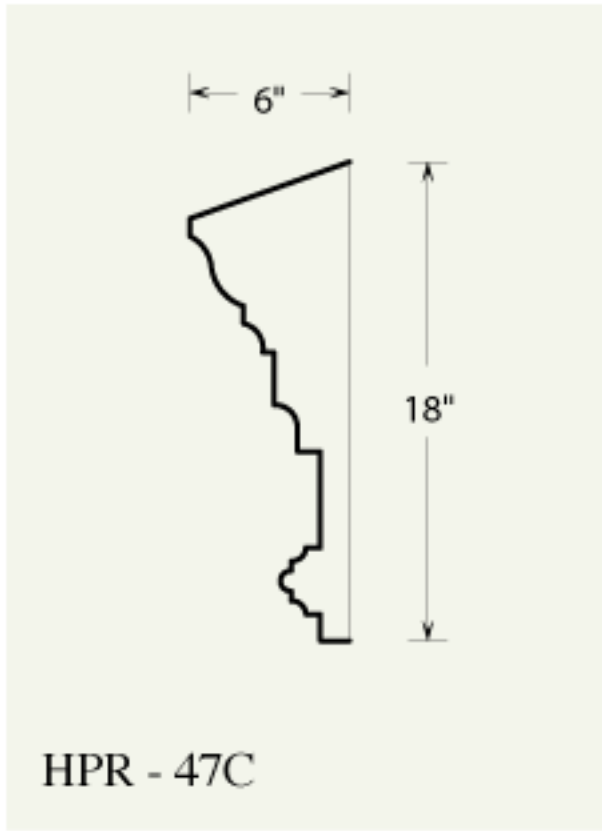
Architectural Mall, Inc
642 W Winthrop Ave
Addison, IL 60101

T. 877-279-9993
F. 877-271-9994
E. sales@architecturalmall.com



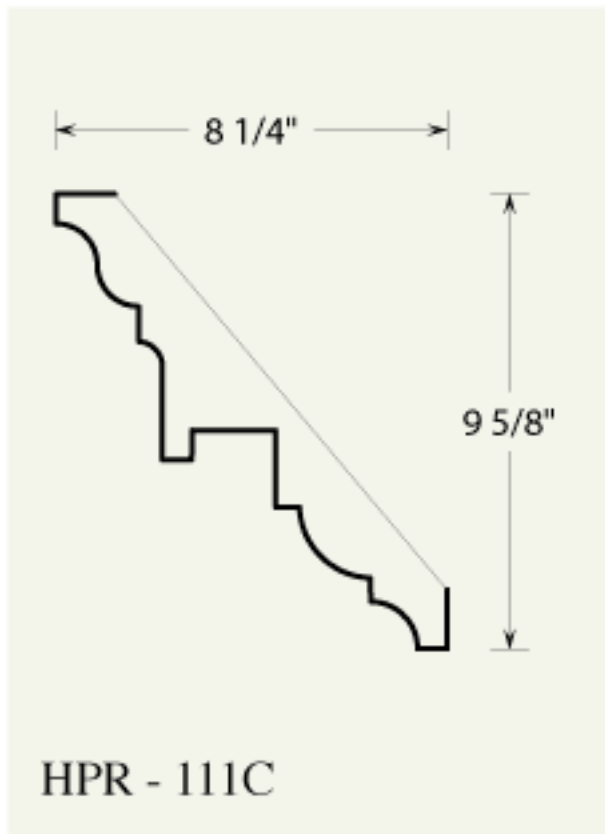
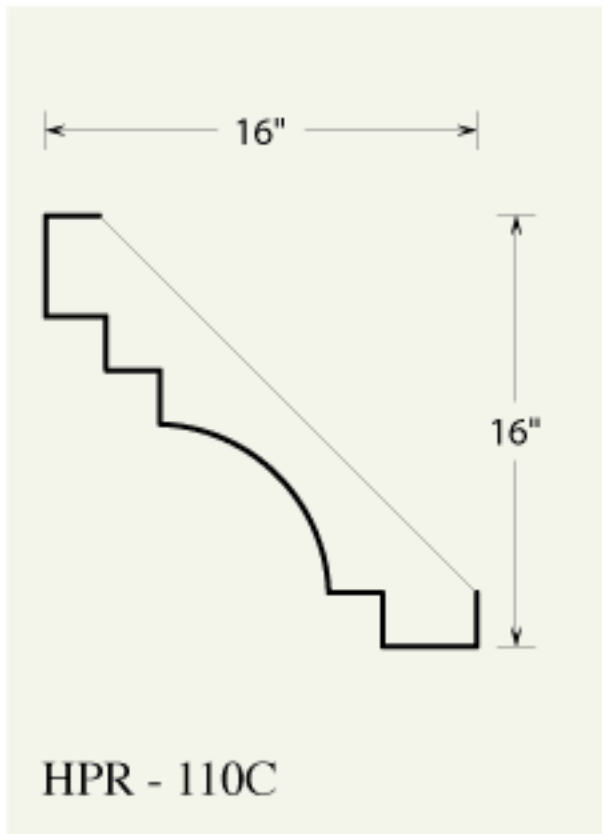
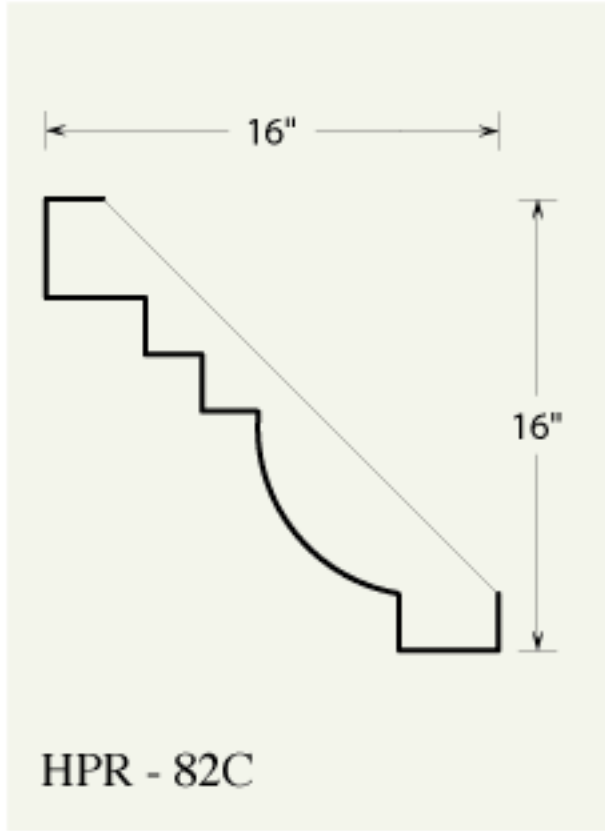
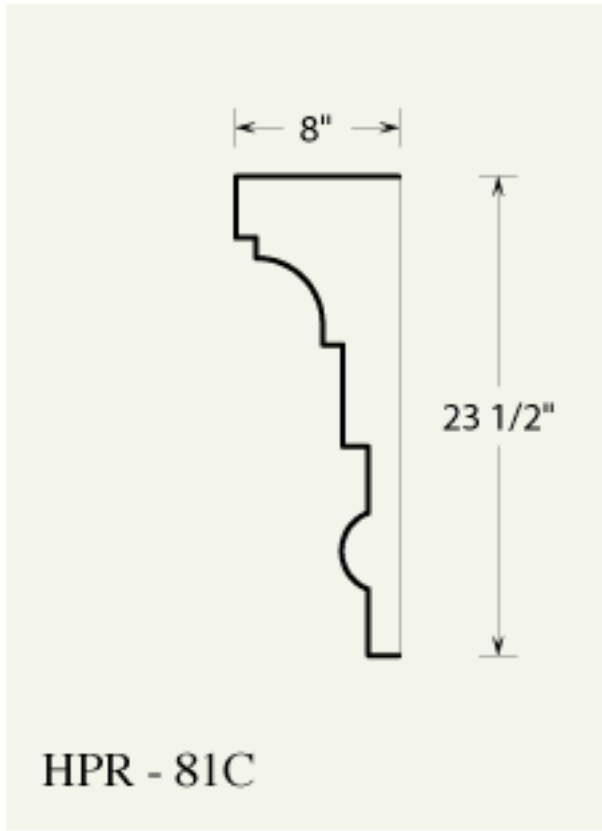
Architectural Mall, Inc
642 W Winthrop Ave
Addison, IL 60101

T. 877-279-9993
F. 877-271-9994
E. sales@architecturalmall.com



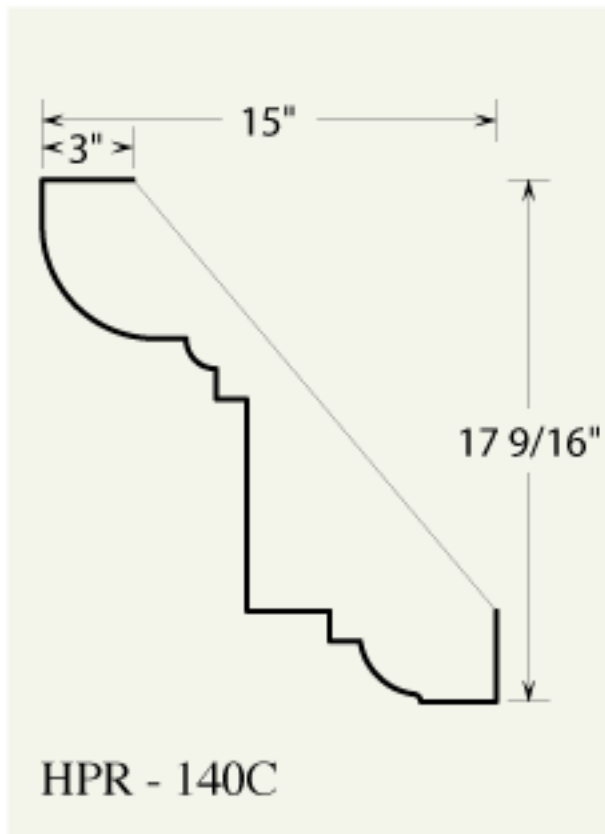
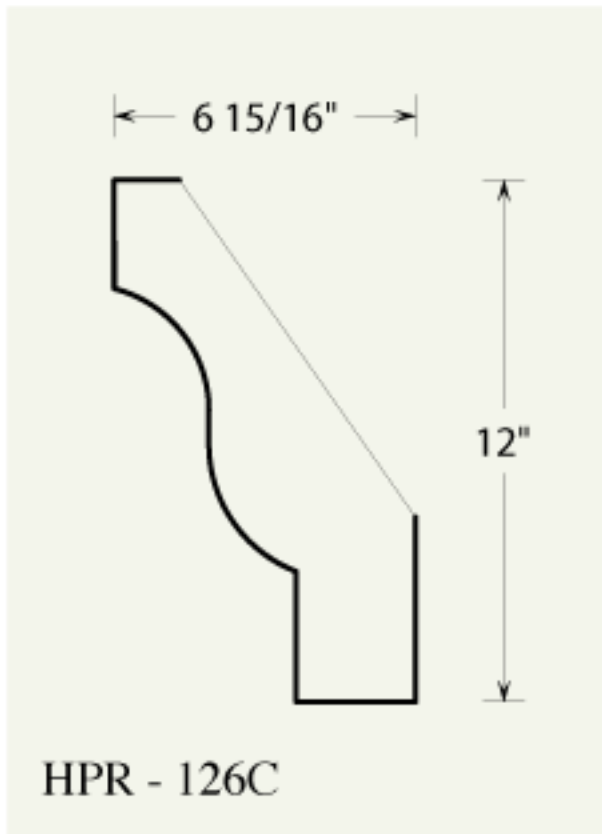
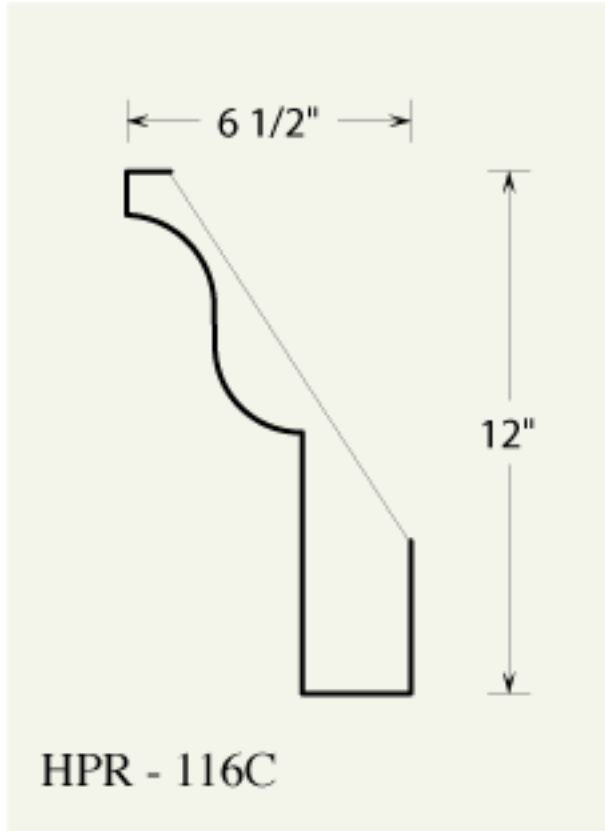
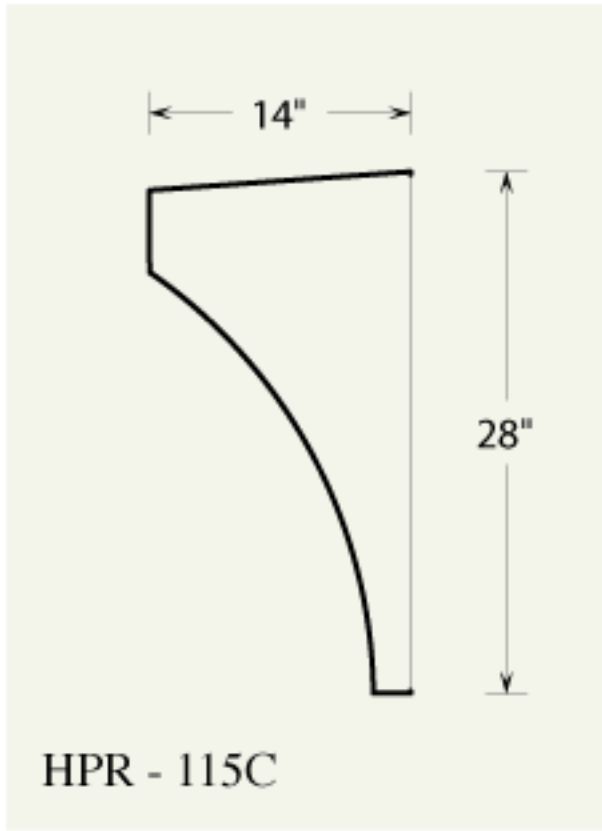
Architectural Mall, Inc
642 W Winthrop Ave
Addison, IL 60101

T. 877-279-9993
F. 877-271-9994
E. sales@architecturalmall.com



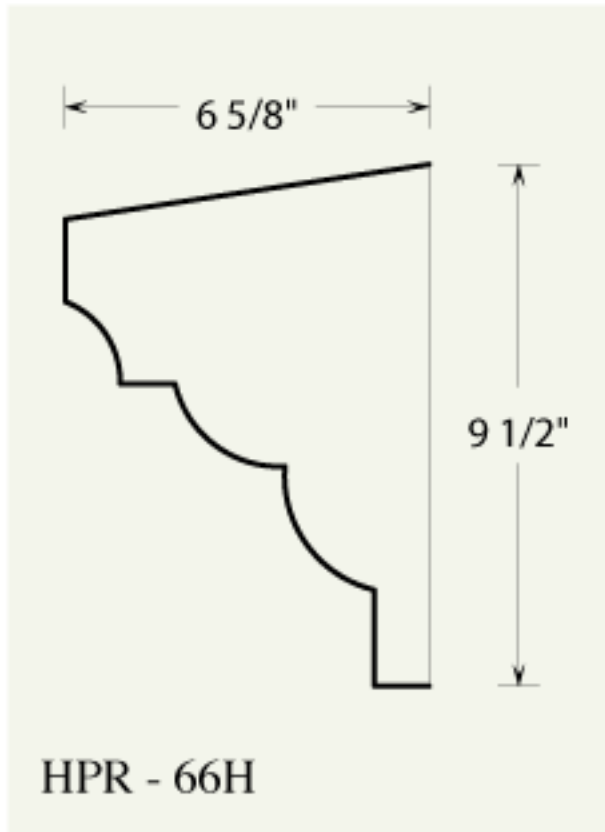
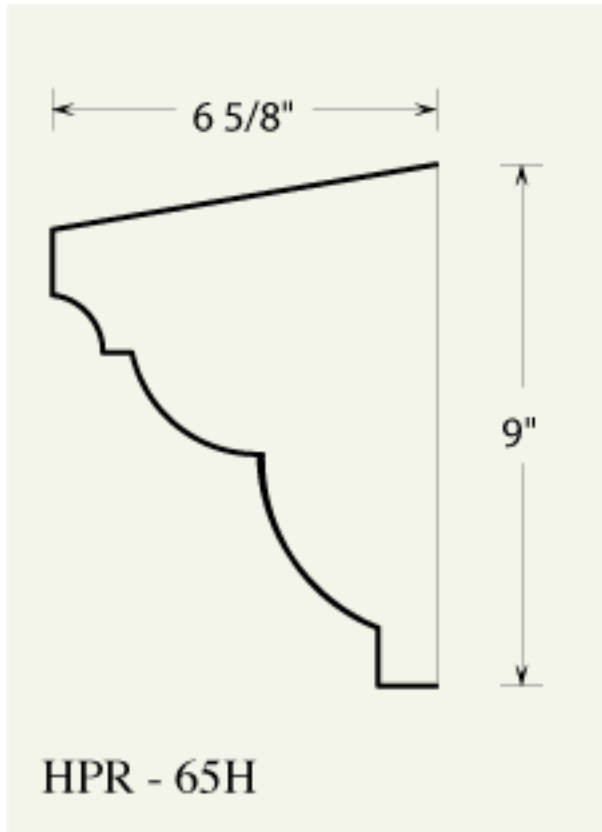
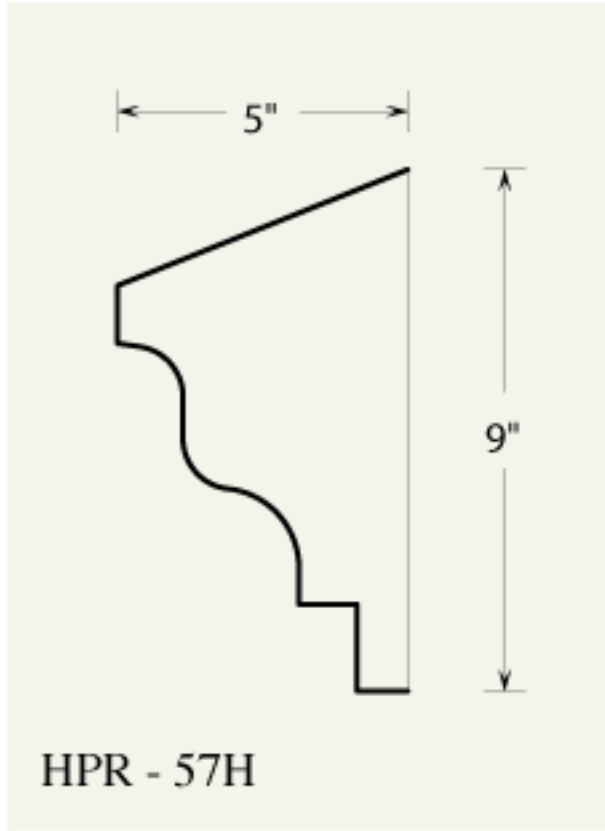
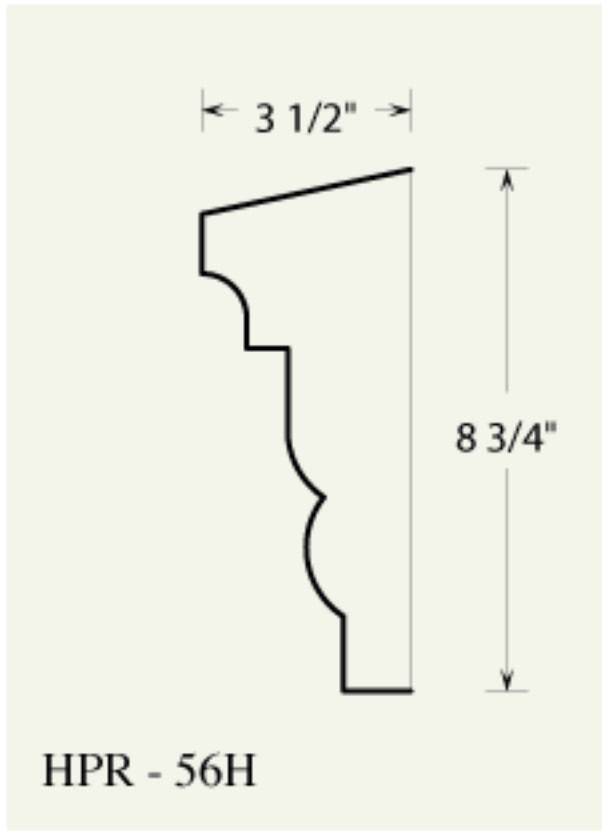
Architectural Mall, Inc
 642 W Winthrop Ave
 Addison, IL 60101

T. 877-279-9993
 F. 877-271-9994
 E. sales@architecturalmall.com



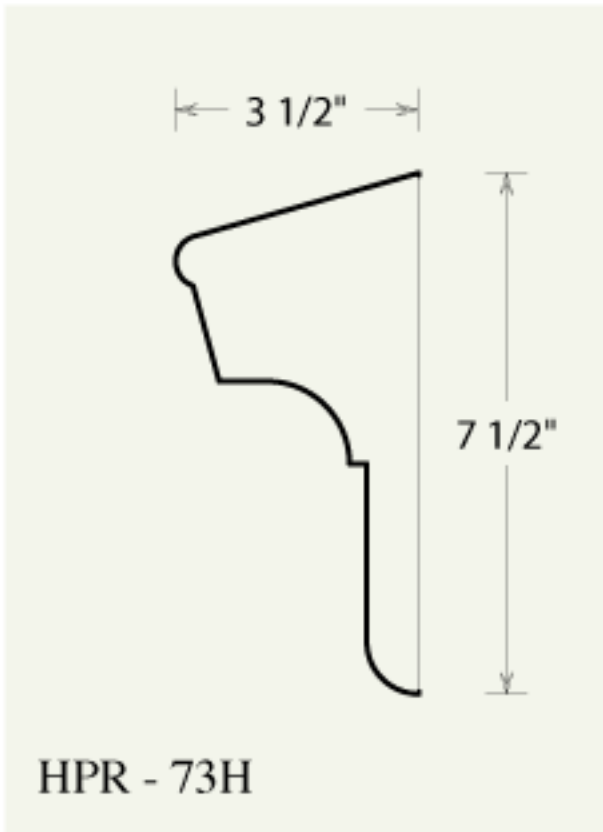
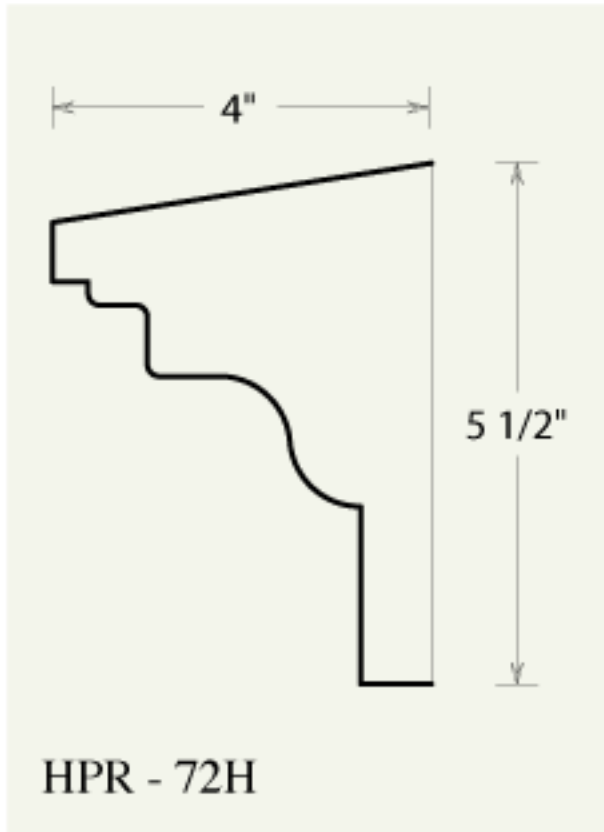
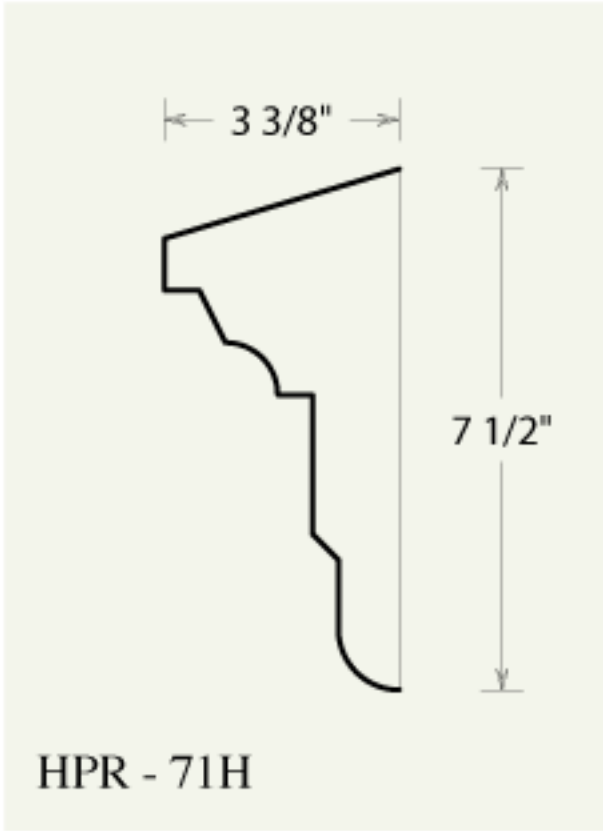
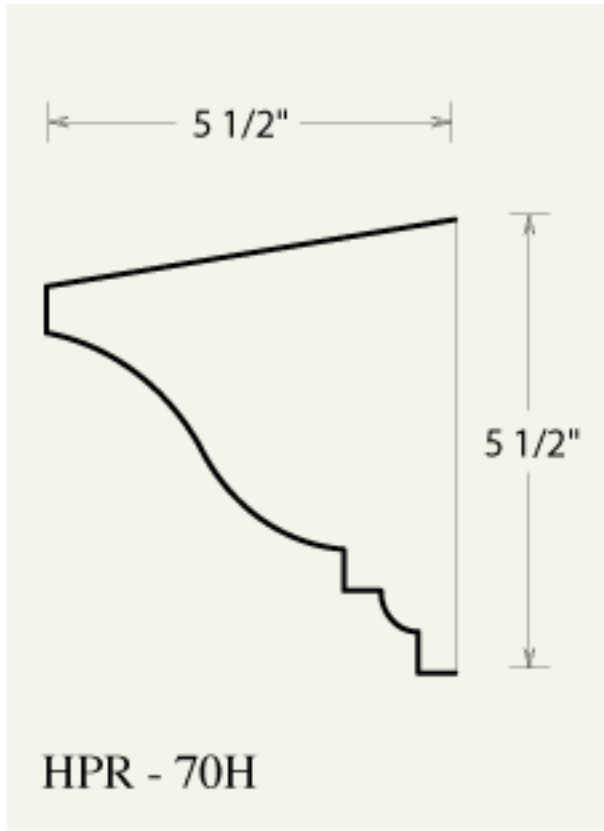
Architectural Mall, Inc
 642 W Winthrop Ave
 Addison, IL 60101

T. 877-279-9993
 F. 877-271-9994
 E. sales@architecturalmall.com



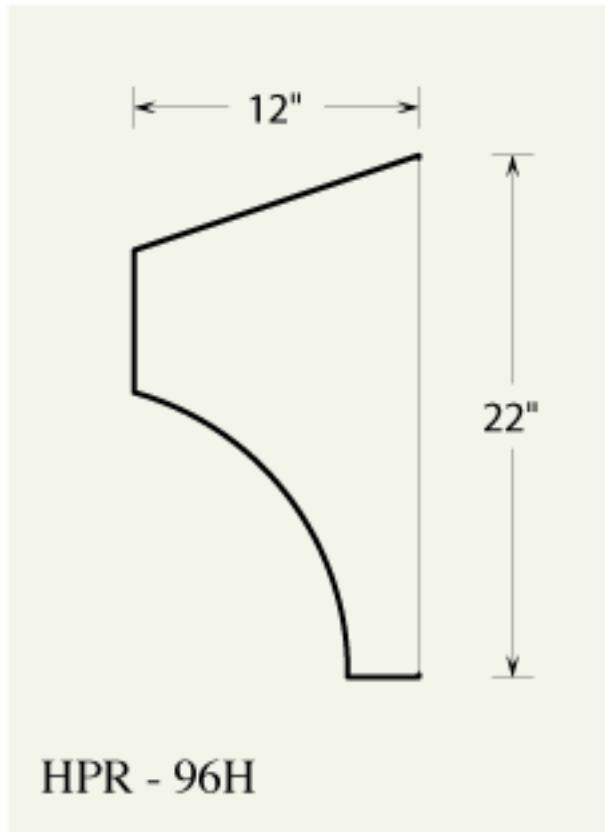
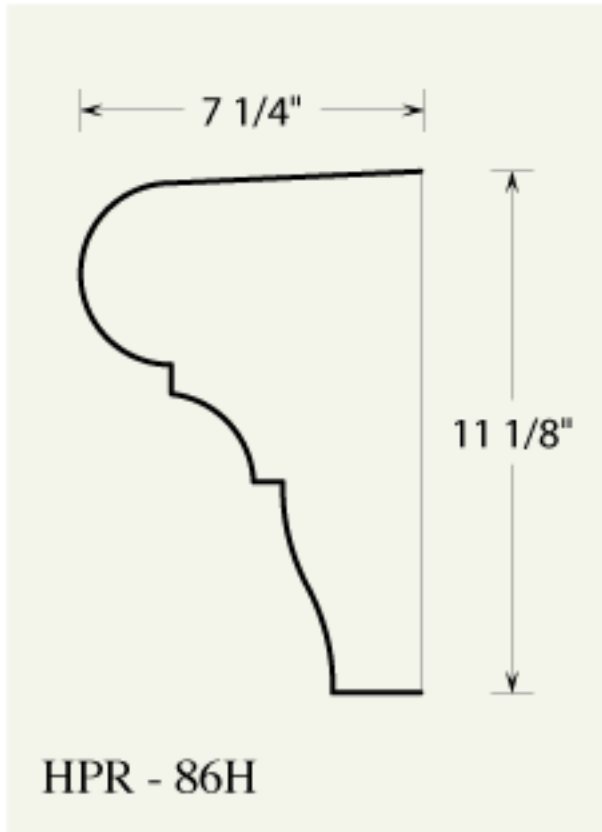
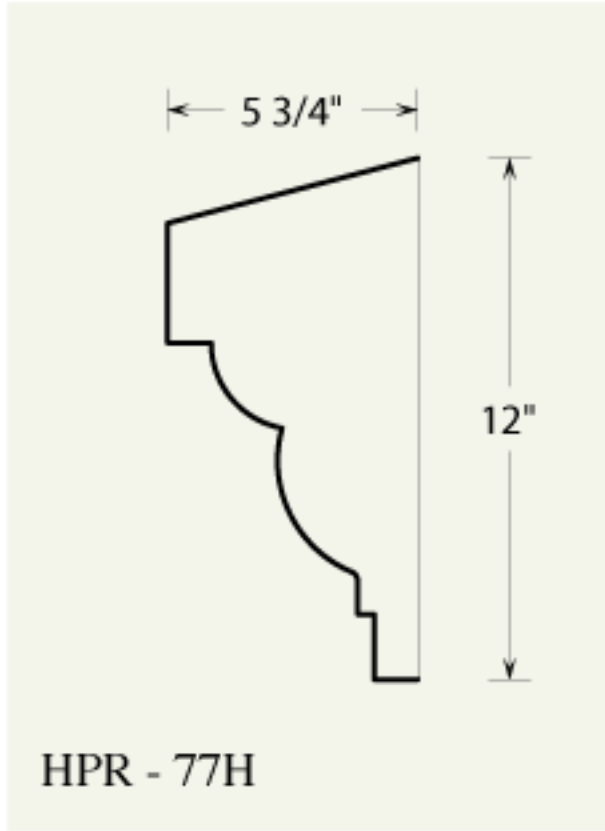
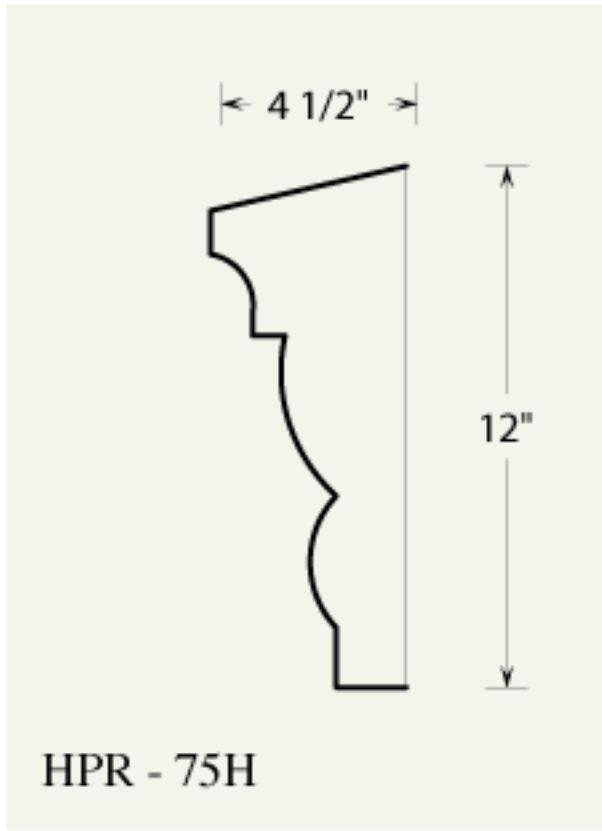
Architectural Mall, Inc
 642 W Winthrop Ave
 Addison, IL 60101

T. 877-279-9993
 F. 877-271-9994
 E. sales@architecturalmall.com



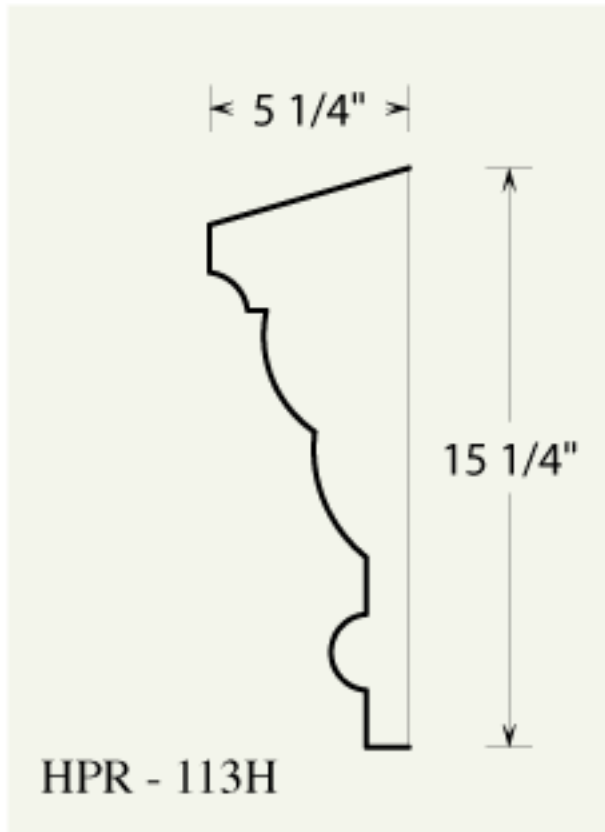
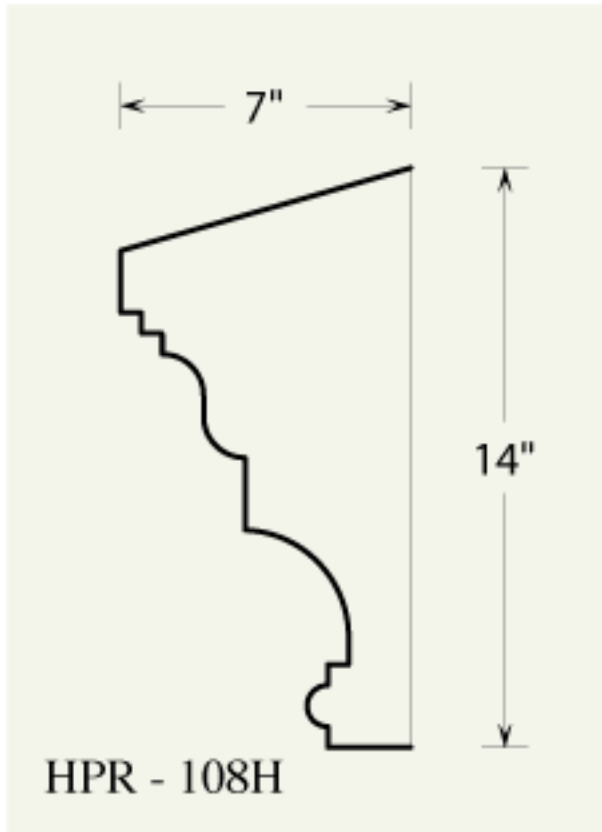
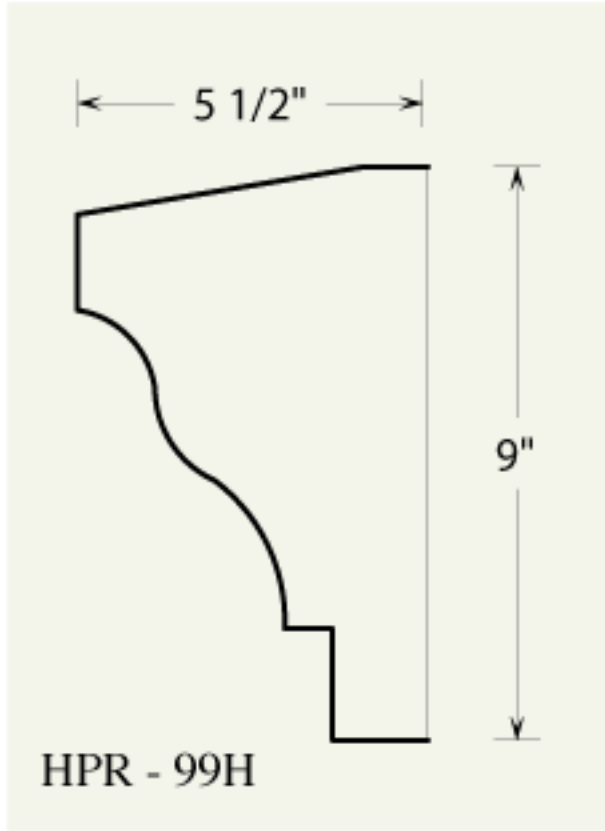
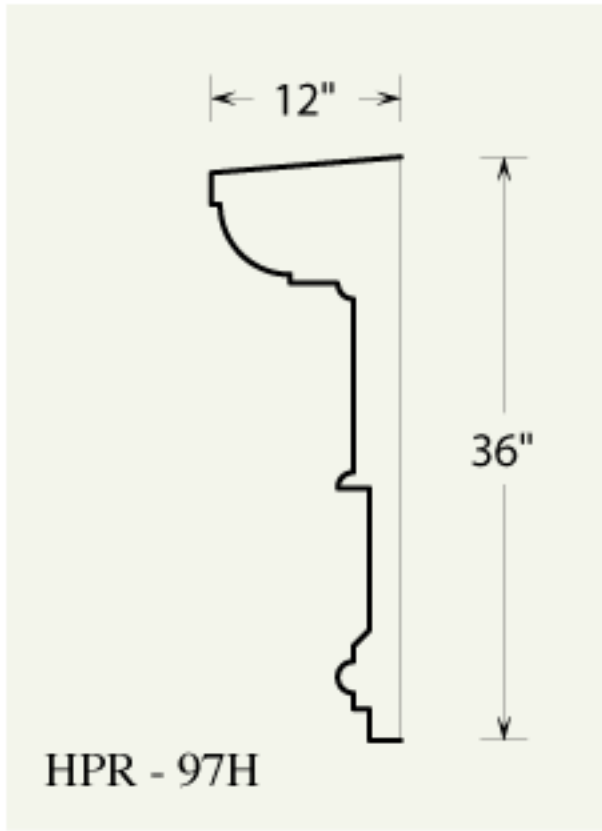
Architectural Mall, Inc
642 W Winthrop Ave
Addison, IL 60101

T. 877-279-9993
F. 877-271-9994
E. sales@architecturalmall.com



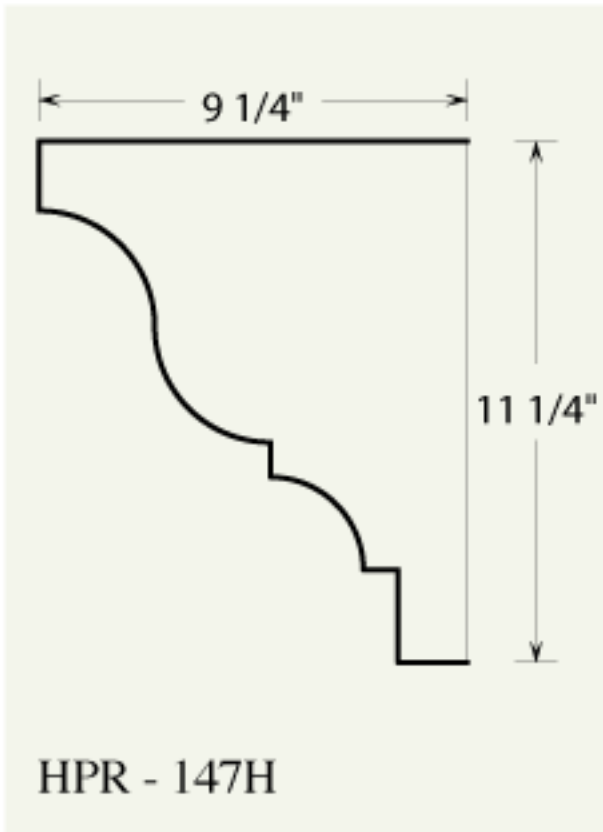
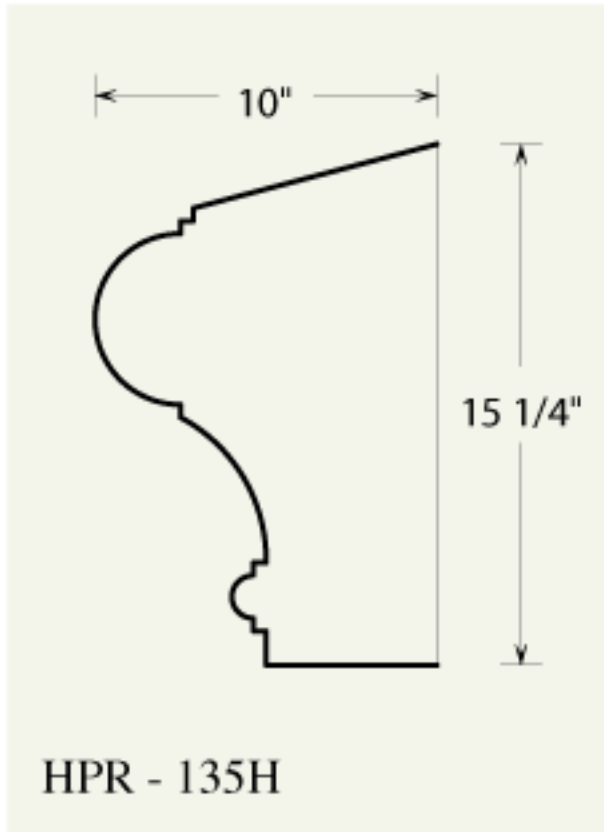
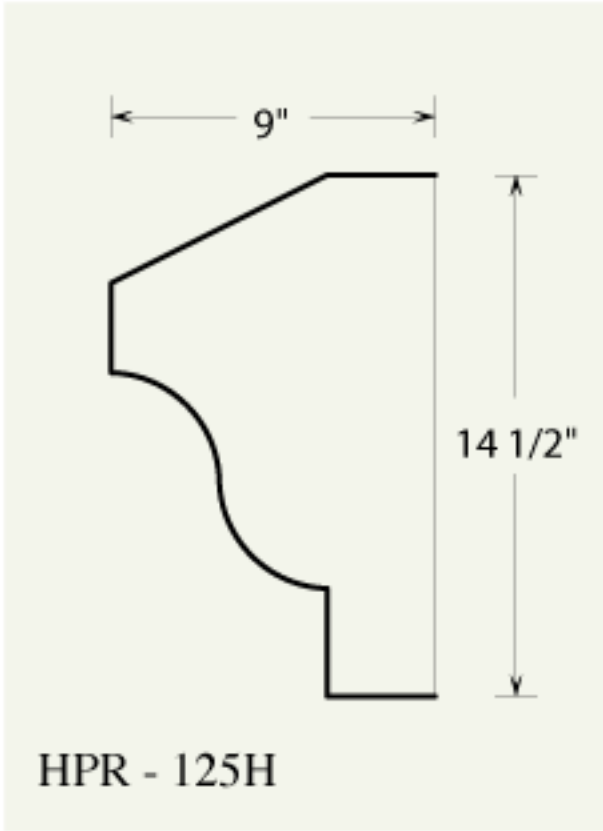
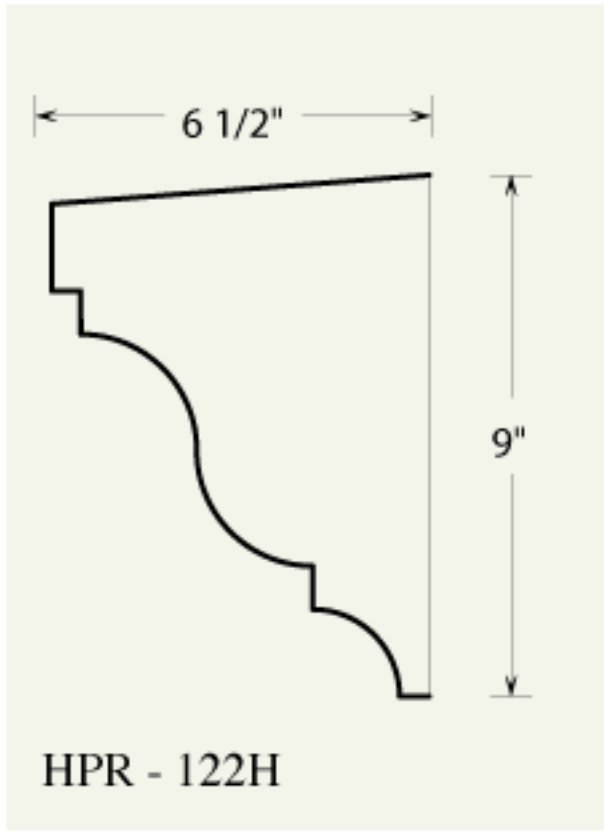
Architectural Mall, Inc
 642 W Winthrop Ave
 Addison, IL 60101

T. 877-279-9993
 F. 877-271-9994
 E. sales@architecturalmall.com



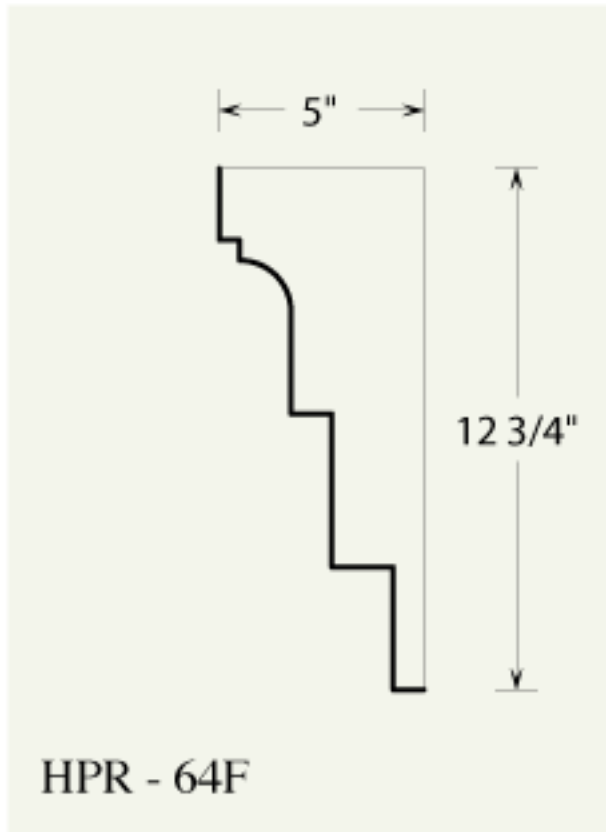
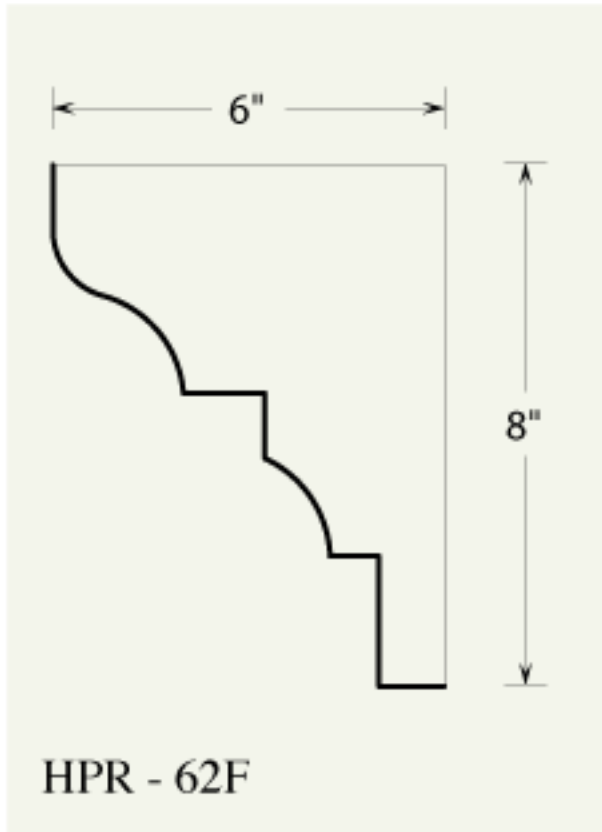
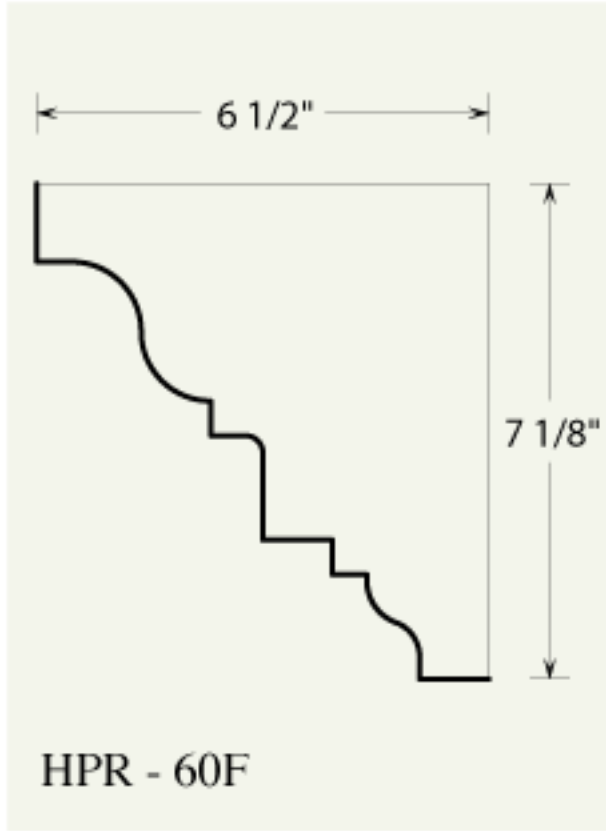
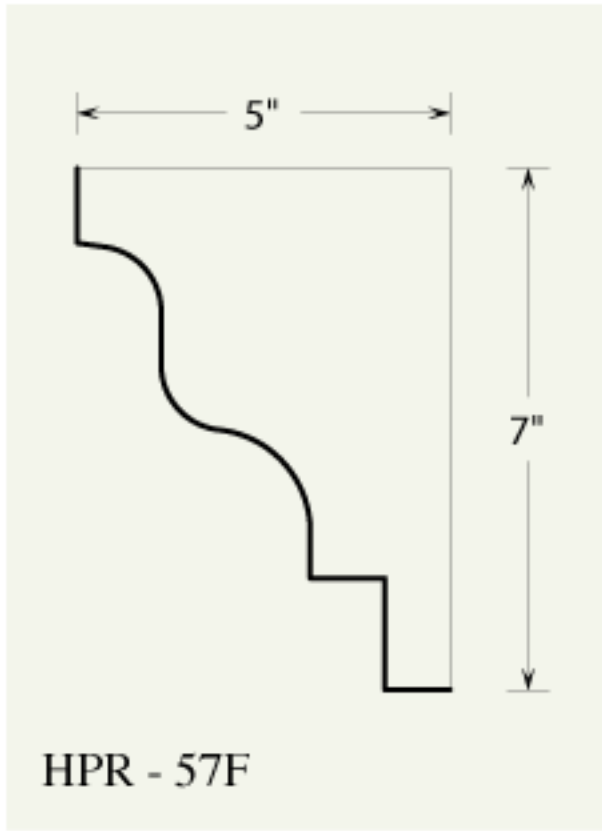
Architectural Mall, Inc
642 W Winthrop Ave
Addison, IL 60101

T. 877-279-9993
F. 877-271-9994
E. sales@architecturalmall.com



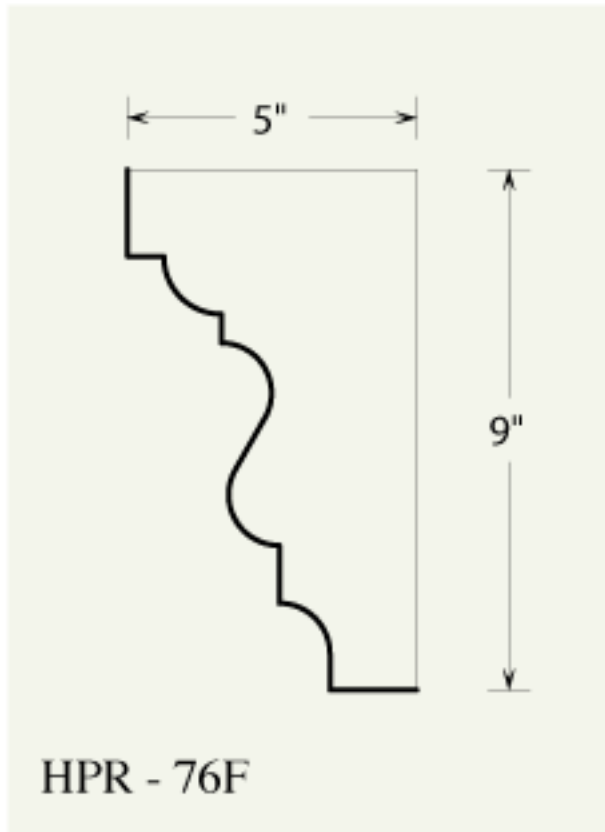
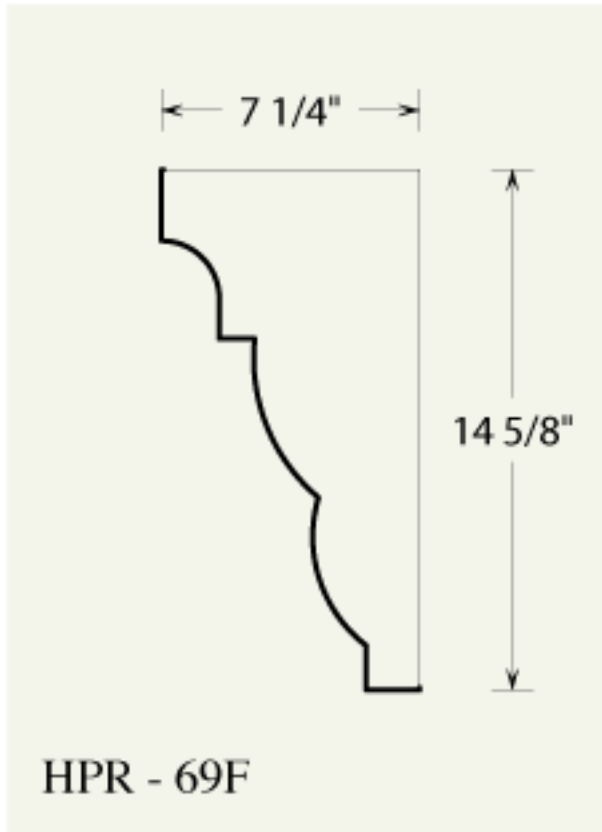
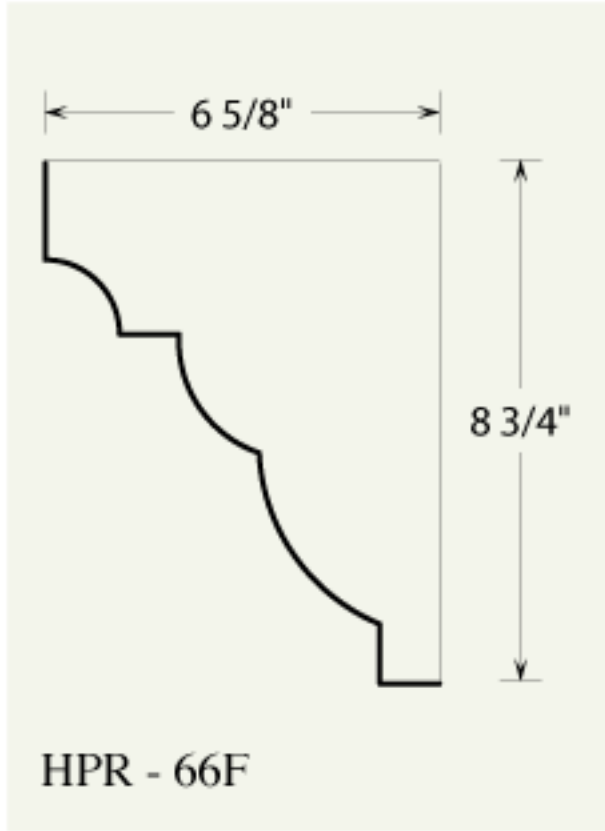
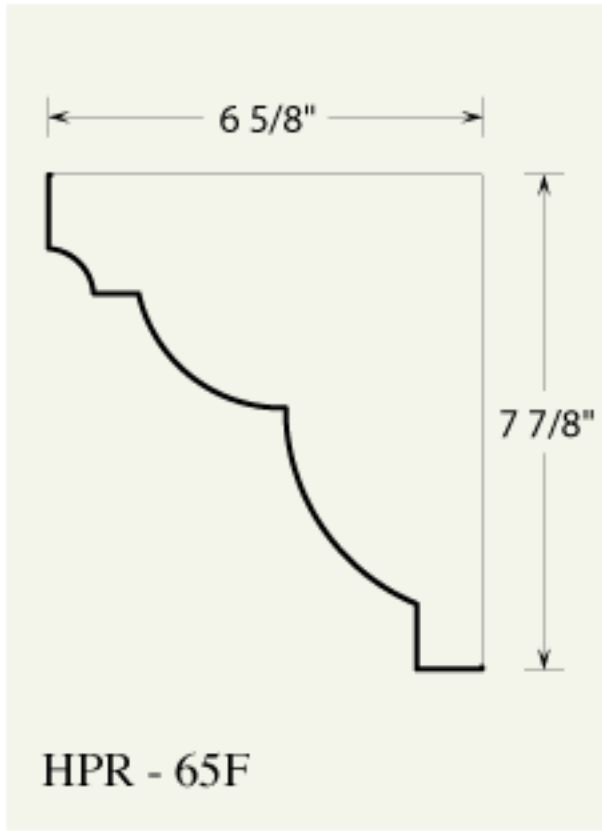
Architectural Mall, Inc
642 W Winthrop Ave
Addison, IL 60101

T. 877-279-9993
F. 877-271-9994
E. sales@architecturalmall.com



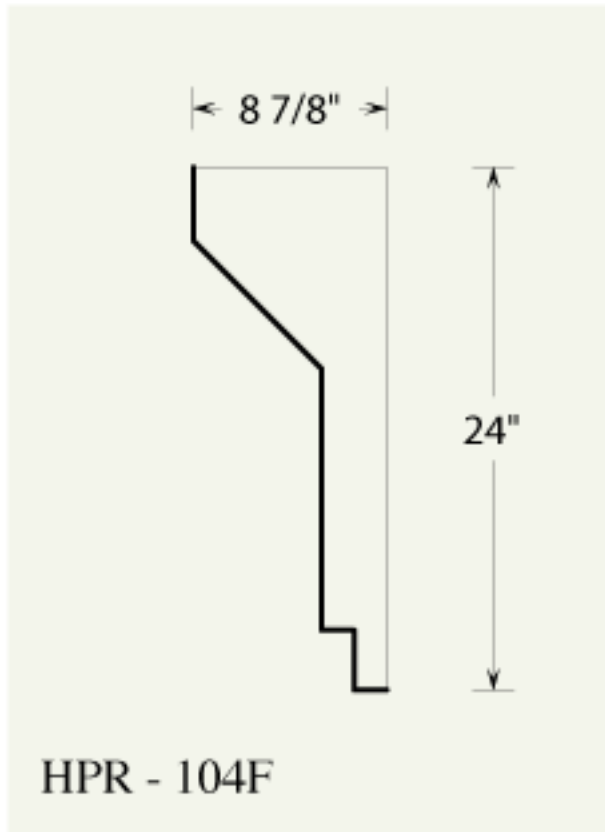
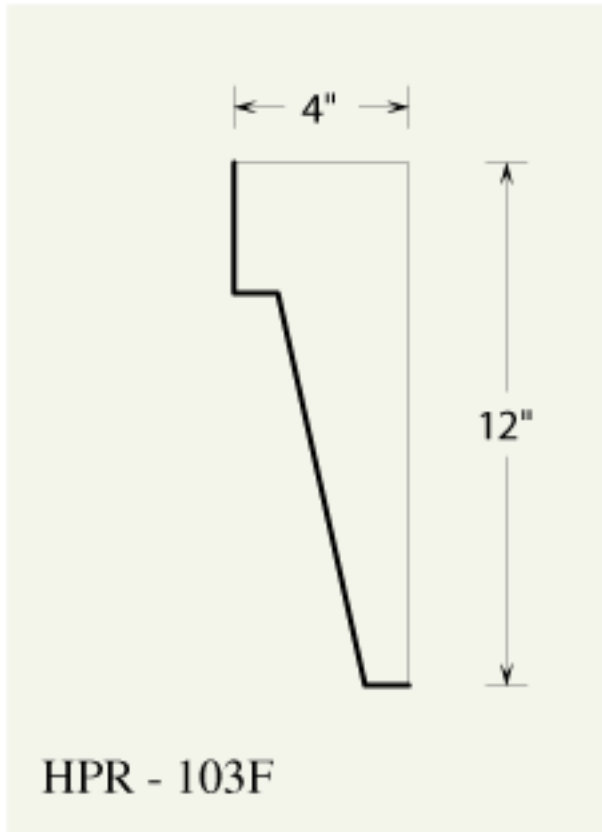
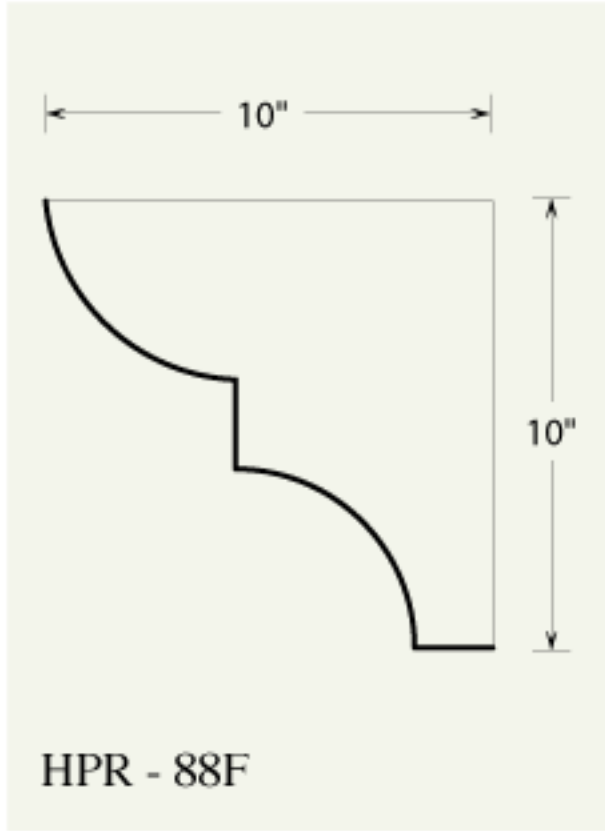
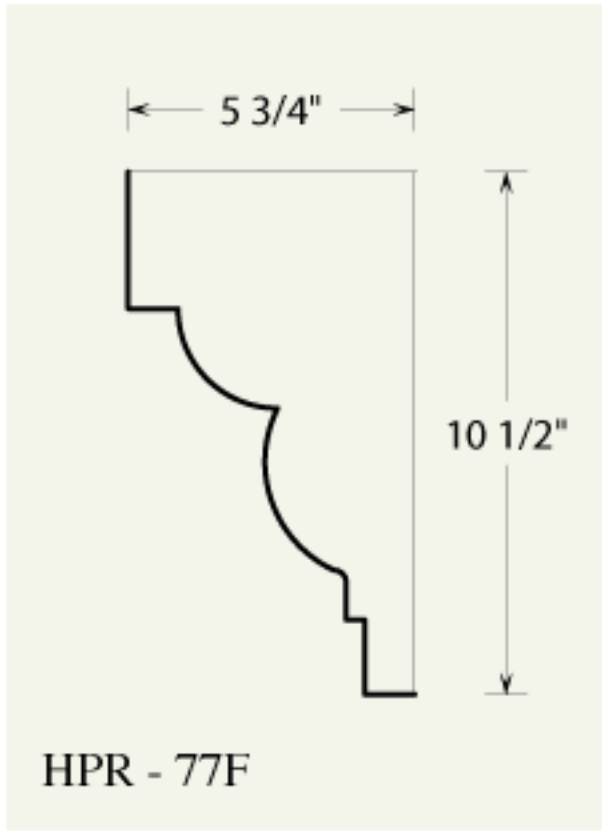
Architectural Mall, Inc
642 W Winthrop Ave
Addison, IL 60101

T. 877-279-9993
F. 877-271-9994
E. sales@architecturalmall.com



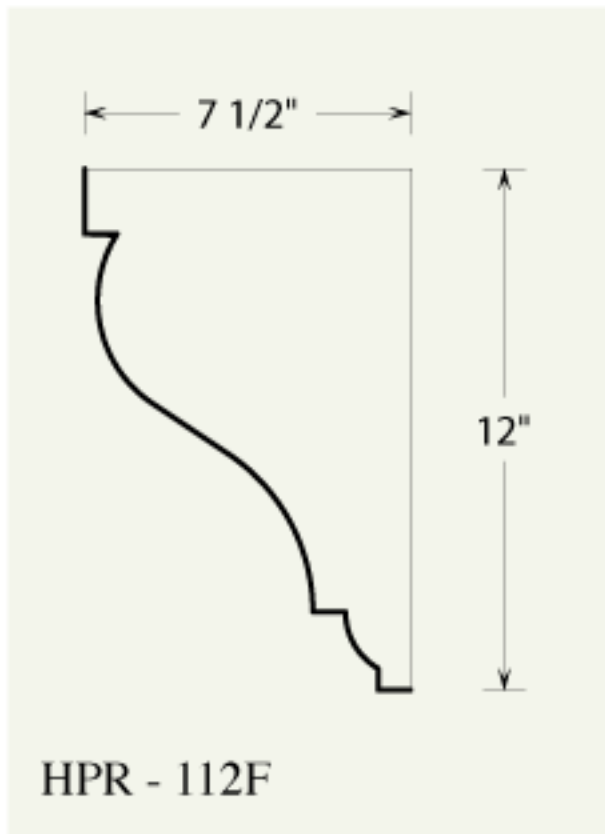
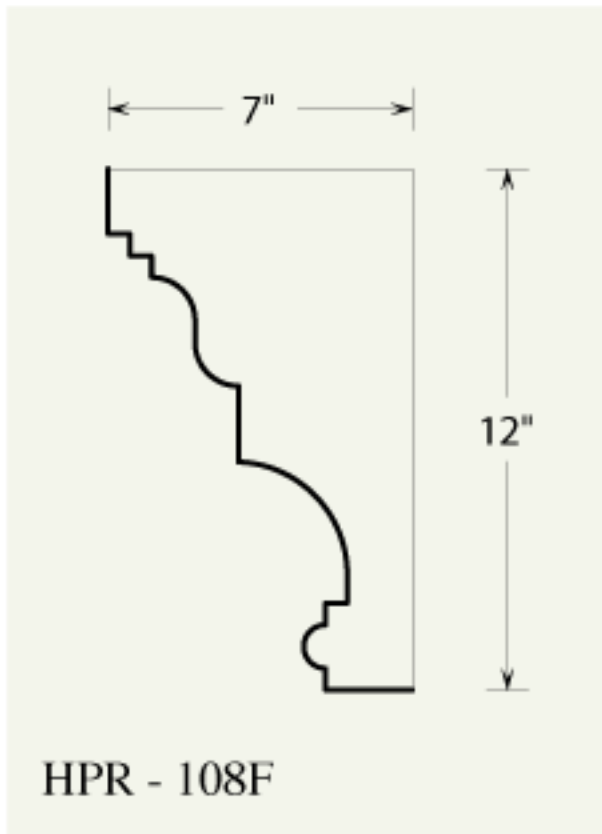
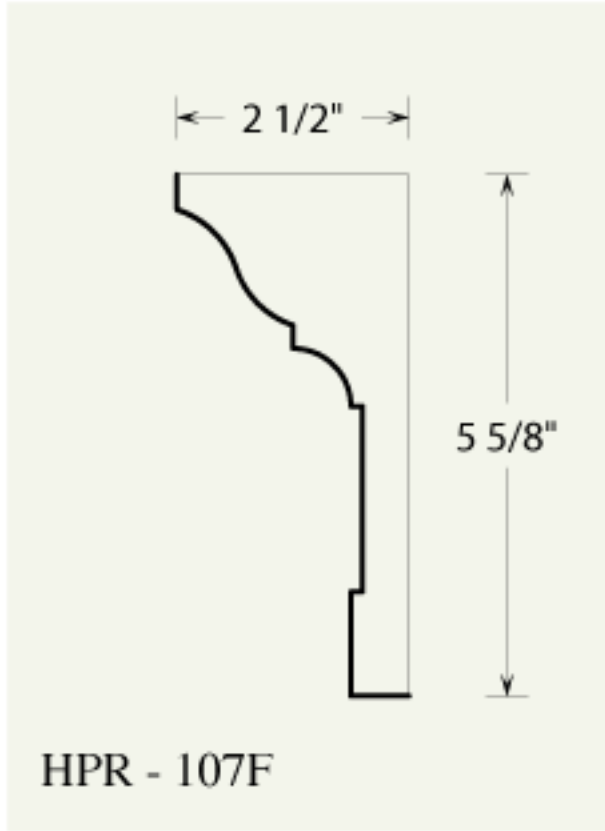
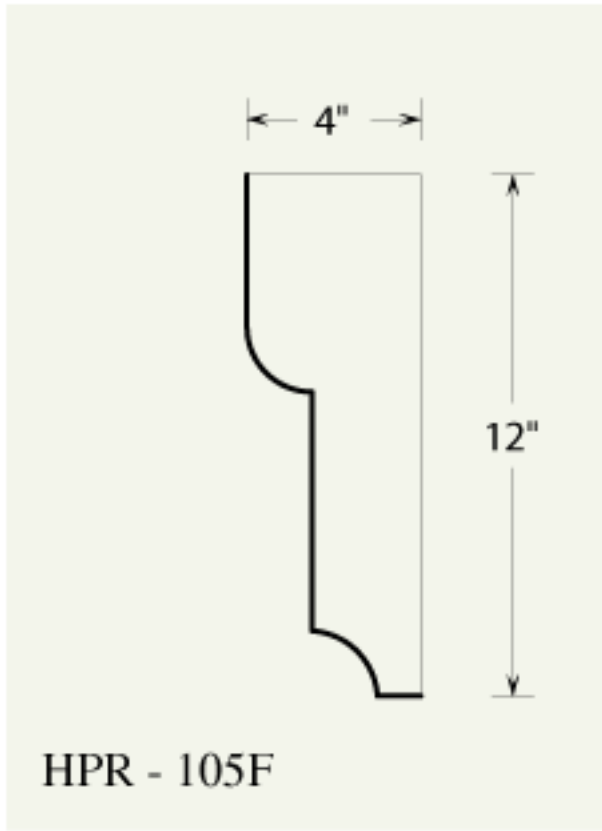
Architectural Mall, Inc
642 W Winthrop Ave
Addison, IL 60101

T. 877-279-9993
F. 877-271-9994
E. sales@architecturalmall.com



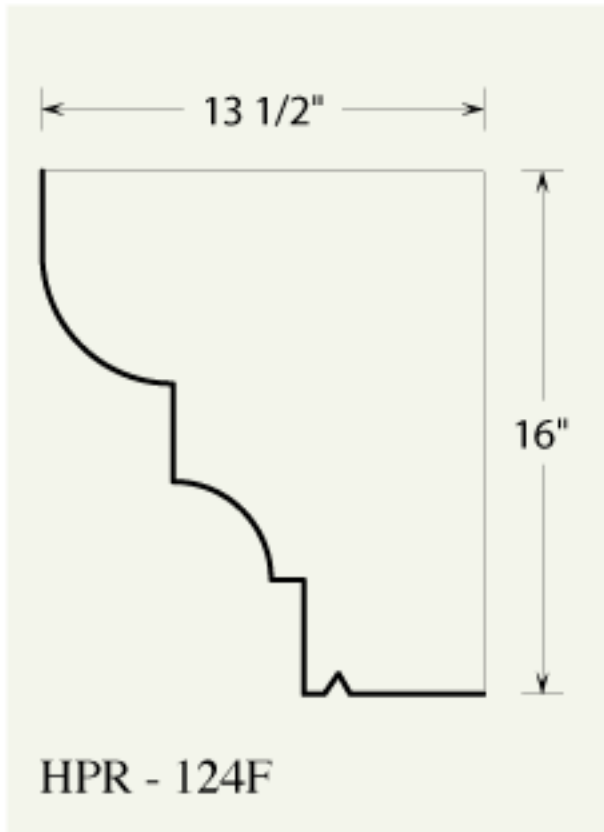
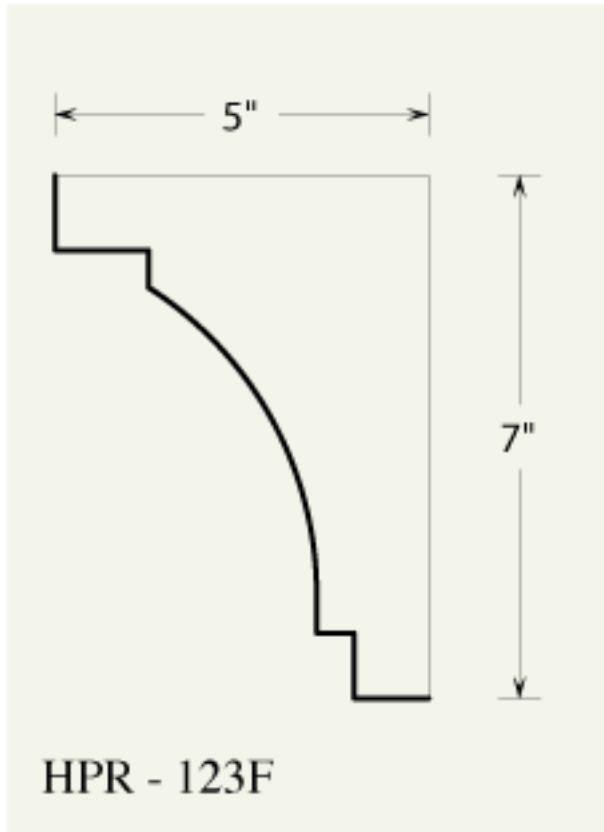
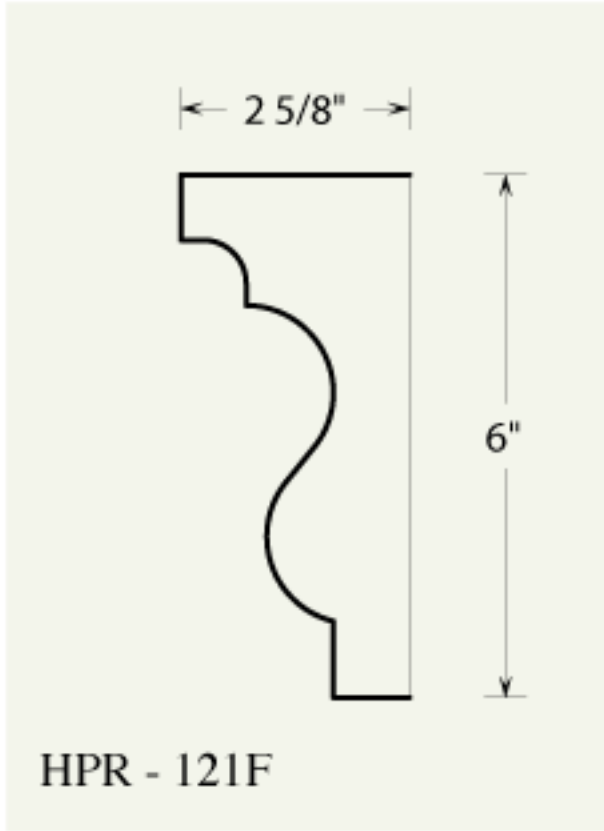
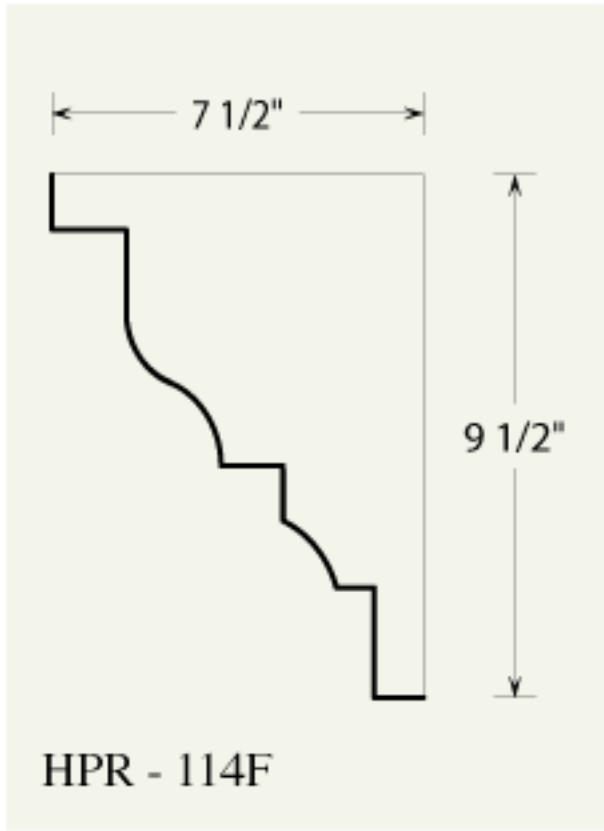
Architectural Mall, Inc
642 W Winthrop Ave
Addison, IL 60101

T. 877-279-9993
F. 877-271-9994
E. sales@architecturalmall.com



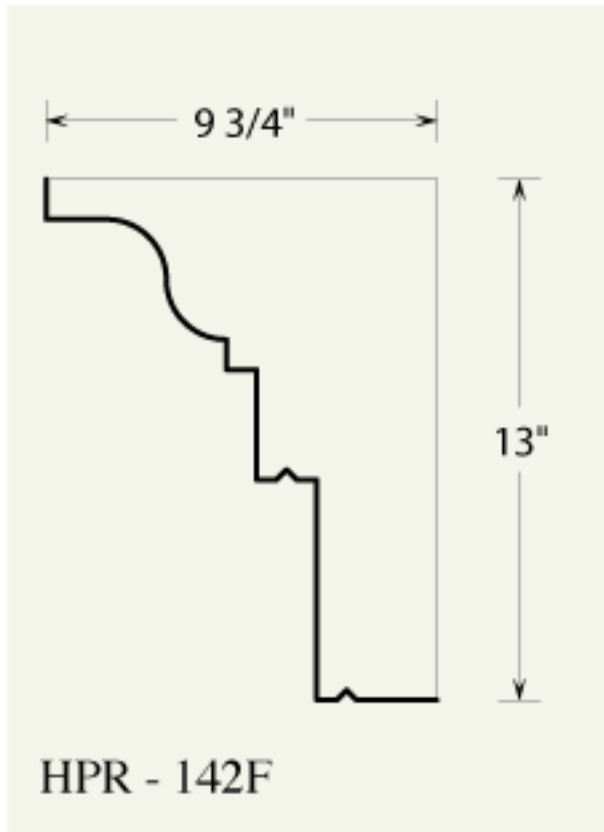
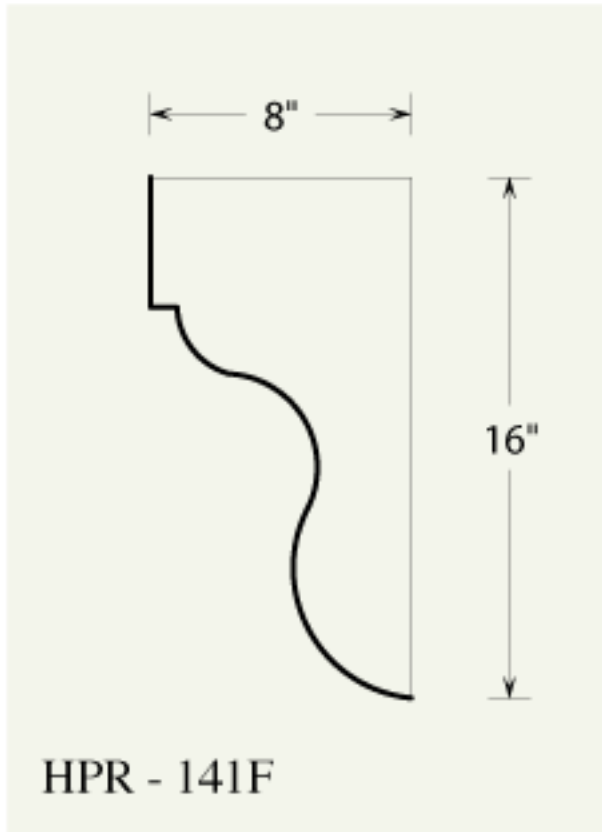
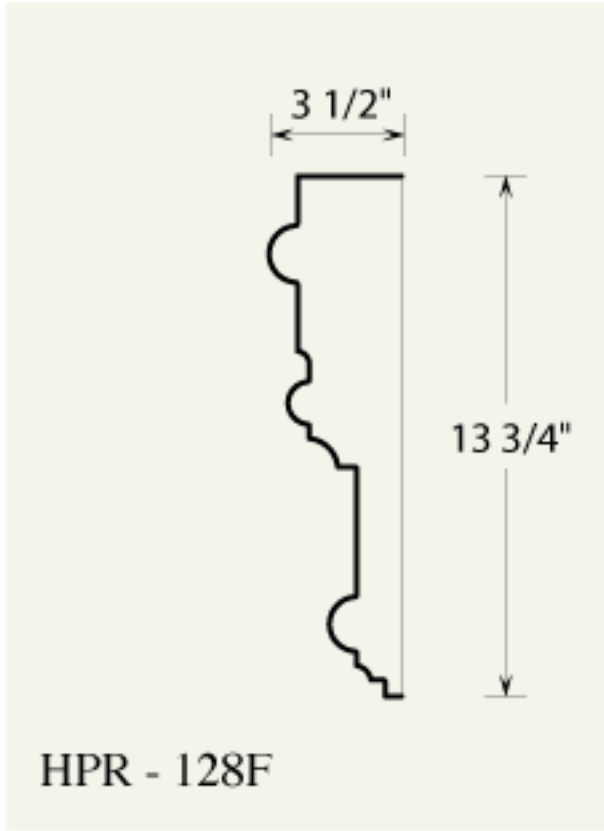
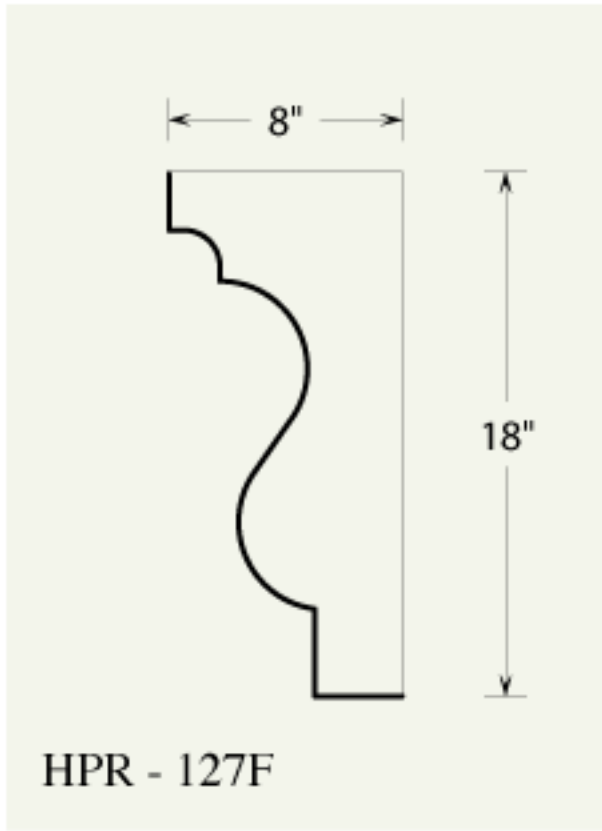
Architectural Mall, Inc
 642 W Winthrop Ave
 Addison, IL 60101

T. 877-279-9993
 F. 877-271-9994
 E. sales@architecturalmall.com



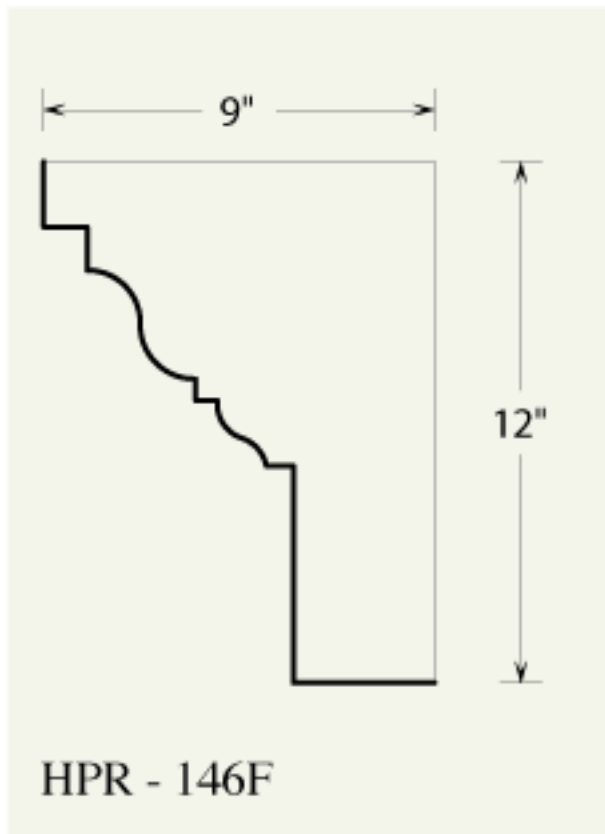
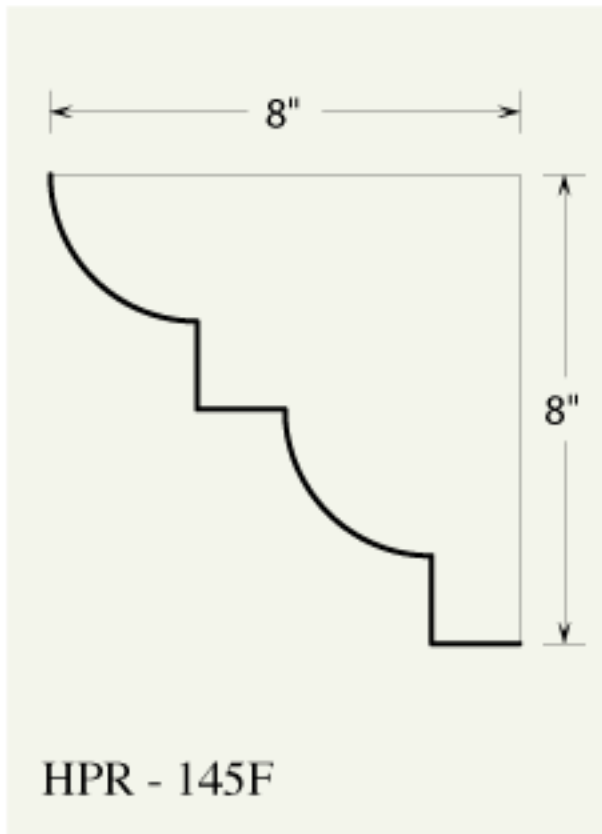
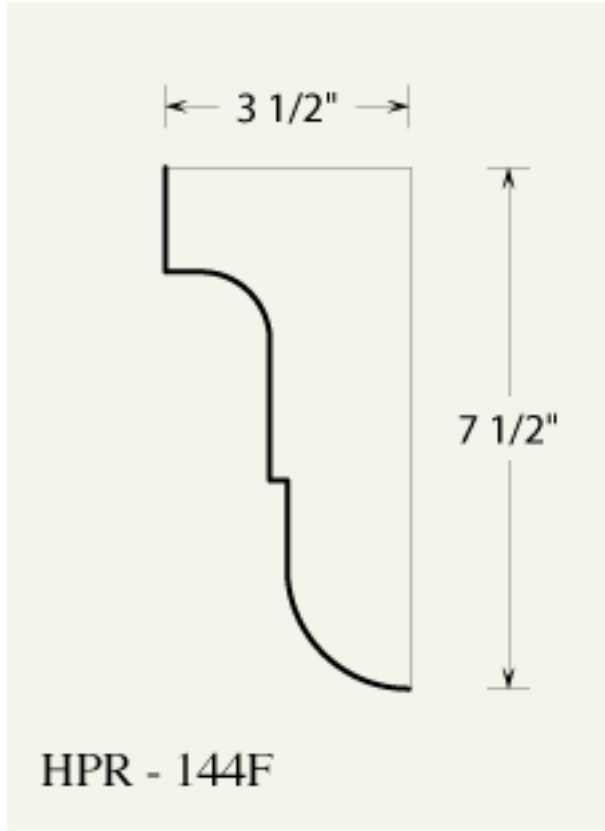
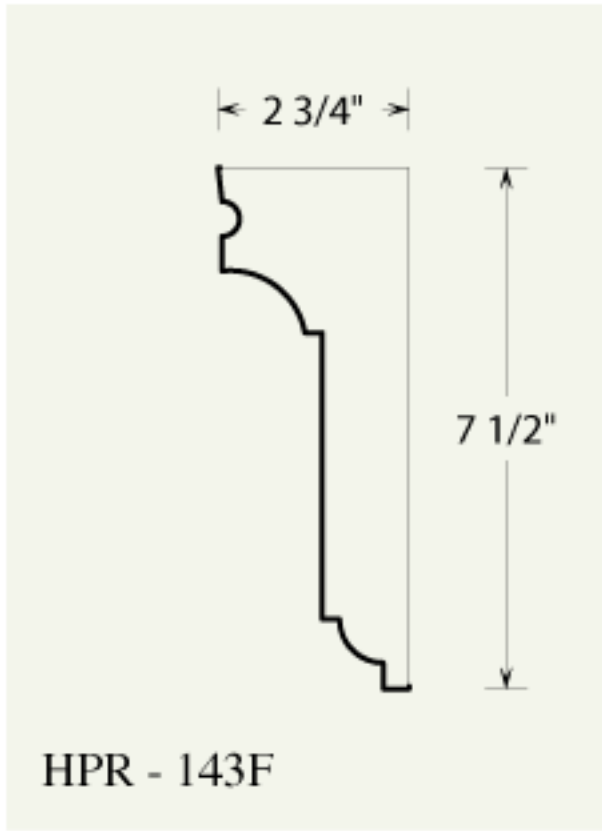
Architectural Mall, Inc
642 W Winthrop Ave
Addison, IL 60101

T. 877-279-9993
F. 877-271-9994
E. sales@architecturalmall.com



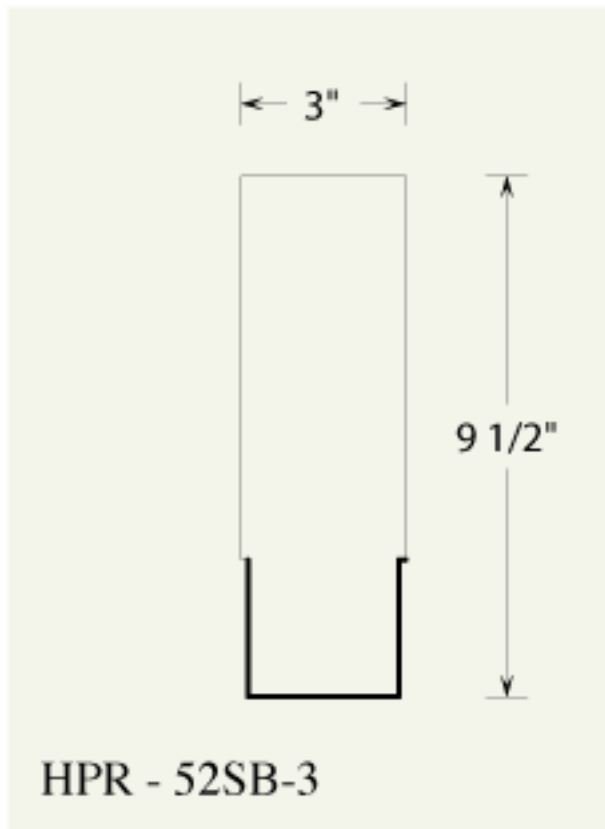
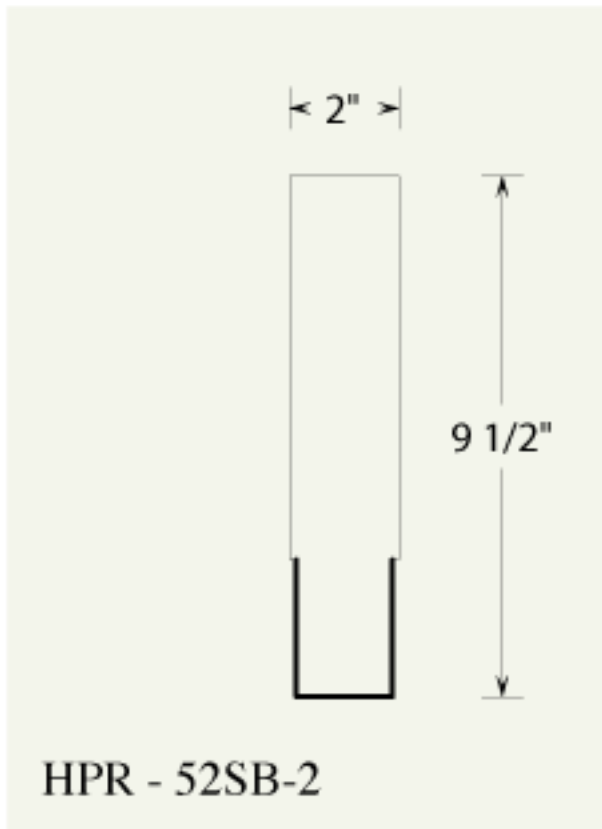
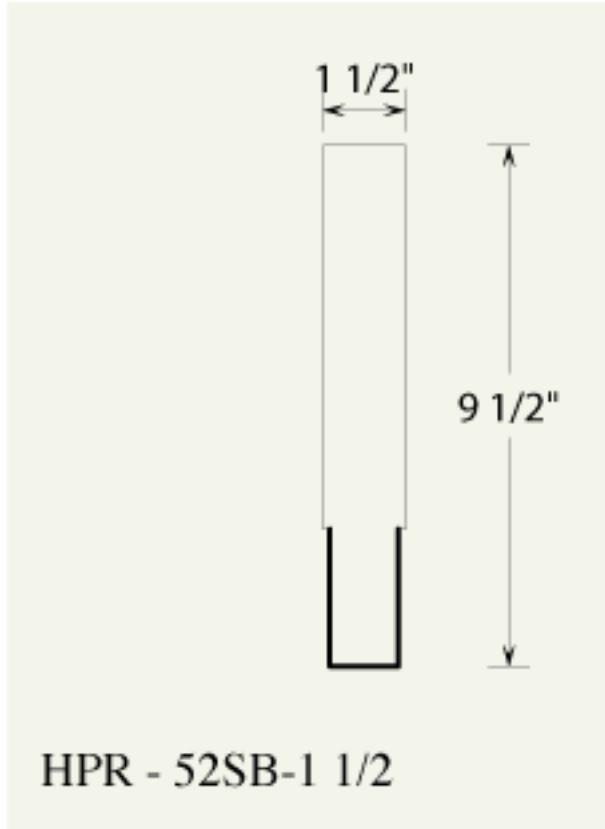
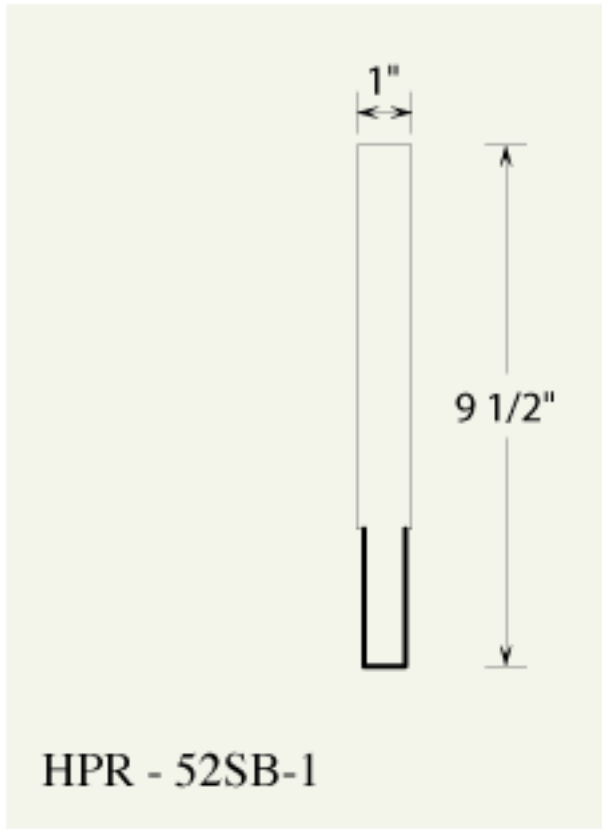
Architectural Mall, Inc
 642 W Winthrop Ave
 Addison, IL 60101

T. 877-279-9993
 F. 877-271-9994
 E. sales@architecturalmall.com



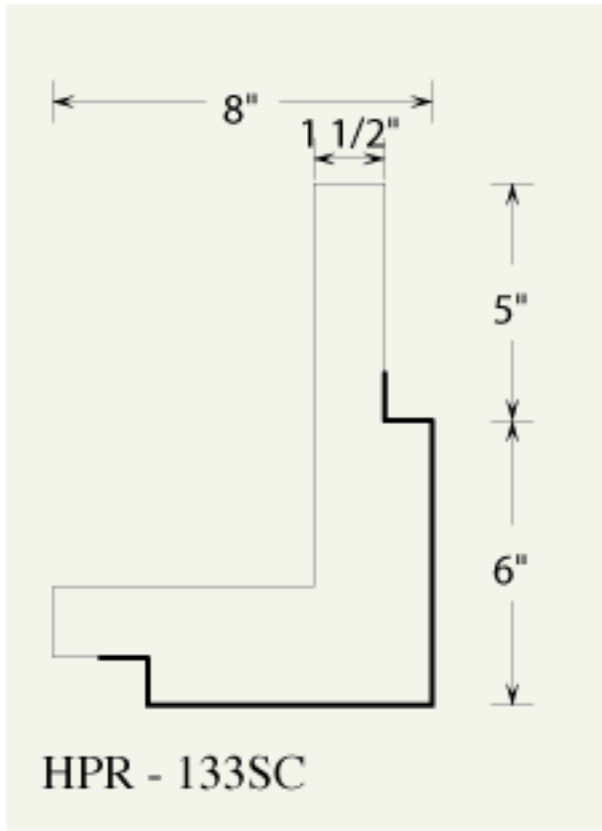
Architectural Mall, Inc
642 W Winthrop Ave
Addison, IL 60101

T. 877-279-9993
F. 877-271-9994
E. sales@architecturalmall.com

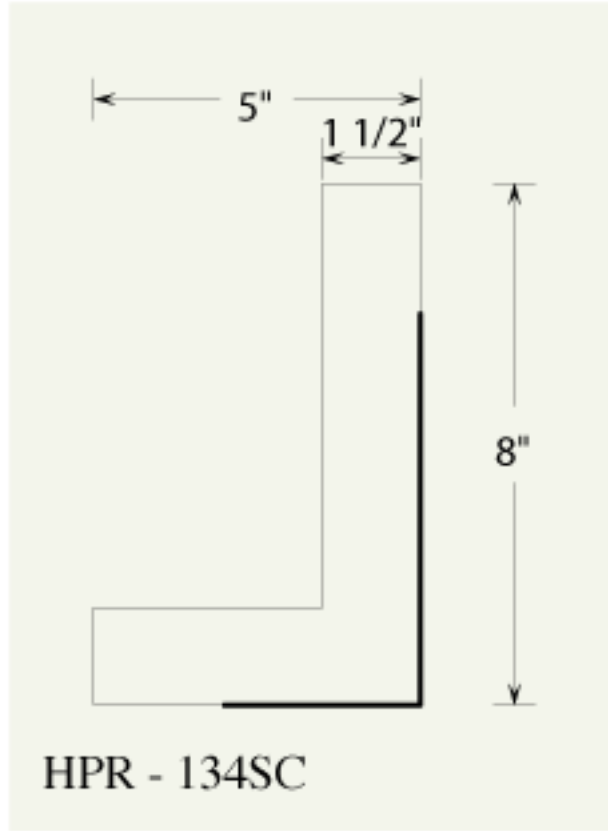


Architectural Mall, Inc
642 W Winthrop Ave
Addison, IL 60101

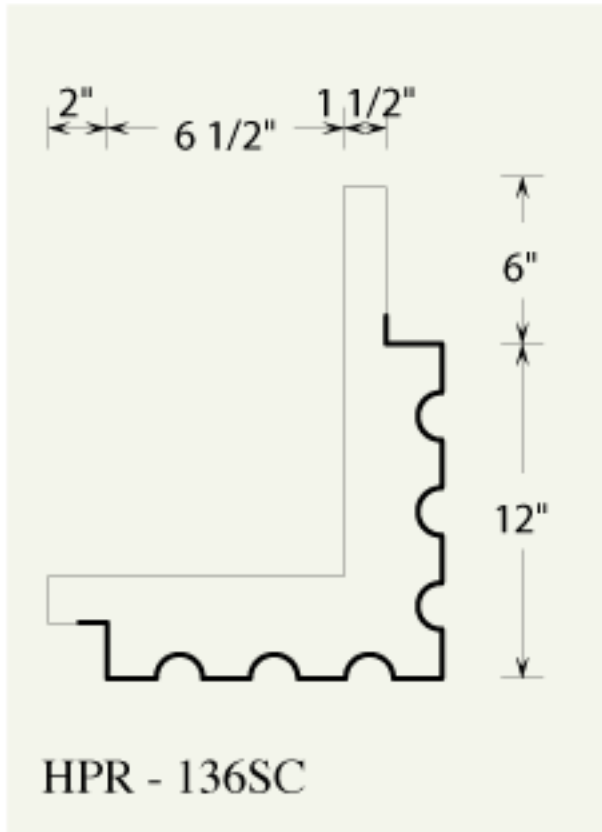
T. 877-279-9993
F. 877-271-9994
E. sales@architecturalmall.com



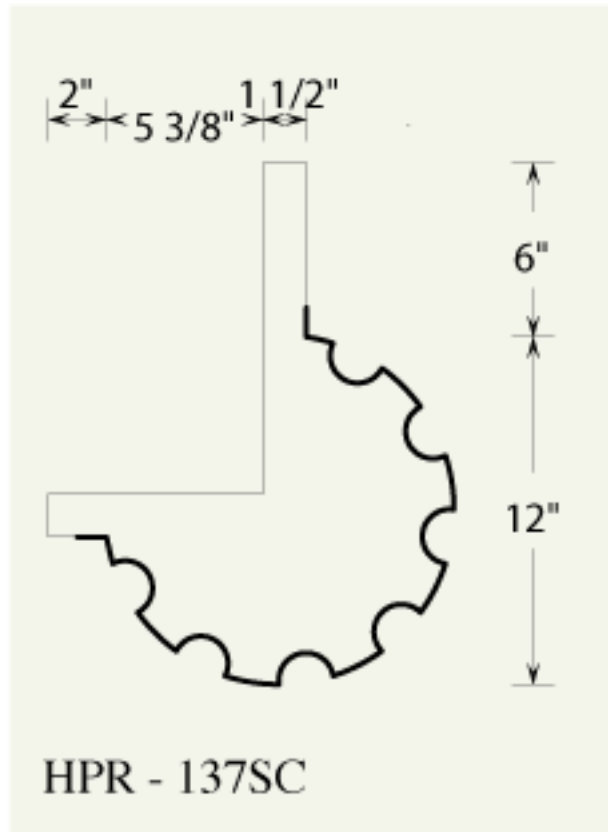
HPR - 133SC



HPR - 134SC



HPR - 136SC

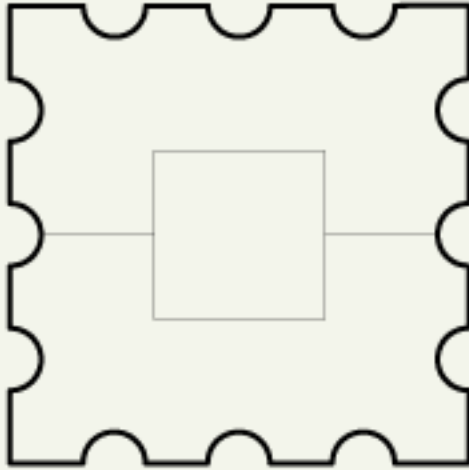


HPR - 137SC

Architectural Mall, Inc
 642 W Winthrop Ave
 Addison, IL 60101

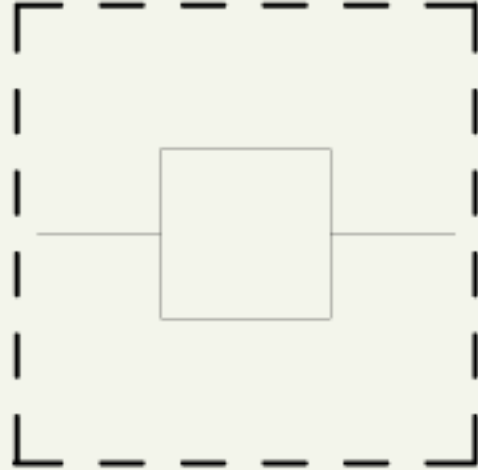
T. 877-279-9993
 F. 877-271-9994
 E. sales@architecturalmall.com

8"-10"-12"



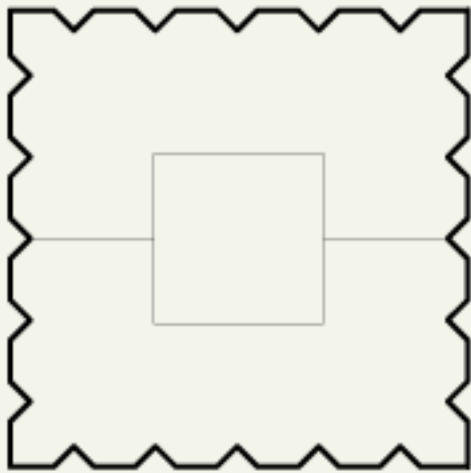
HPR - SQ-COL-1

16"-20"-24"



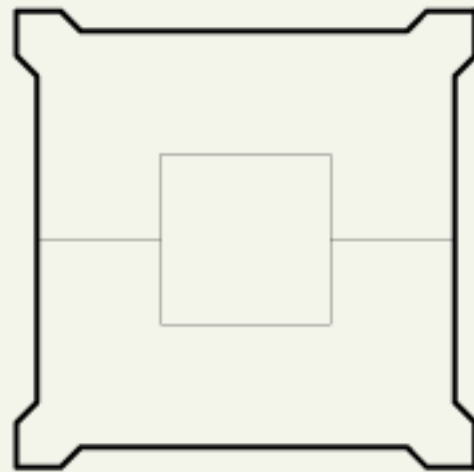
HPR - SQ-COL-2

8"-12"-16"-20"-24"



HPR - SQ-COL-3

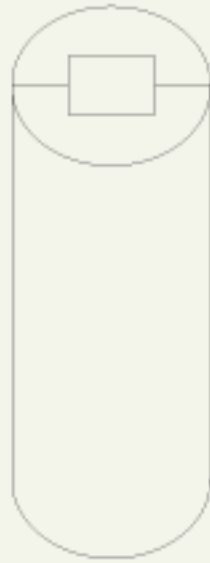
10"-12"-16"-20"



HPR - SQ-COL-4

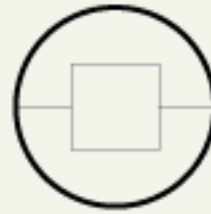
Architectural Mall, Inc
642 W Winthrop Ave
Addison, IL 60101

T. 877-279-9993
F. 877-271-9994
E. sales@architecturalmall.com



ISOMETRIC

HPR - COL-1



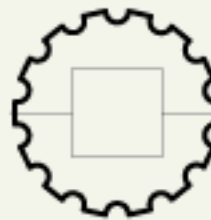
SECTION

AVAILABLE SIZES:
DIAMETER:
8"-10"-12"-14"-16"
20"-24"-30"-36"
LENGTH:
8' 10'



ISOMETRIC

HPR - COL-2



SECTION

AVAILABLE SIZES:
DIAMETER:
8"-10"-12"-14"-16"
20"-24"-30"-36"
LENGTH:
8' 10'

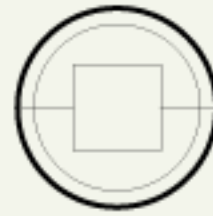
Architectural Mall, Inc
642 W Winthrop Ave
Addison, IL 60101

T. 877-279-9993
F. 877-271-9994
E. sales@architecturalmall.com



ISOMETRIC

HPR - COL-3



SECTION

AVAILABLE SIZES:
DIAMETER:
8"-10"-12"-14"-16"
20"-24"-30"-36"
LENGTH:
8' 10'



HPR - COL-4



SECTION

AVAILABLE SIZES:
DIAMETER:
8"-10"-12"-14"-16"
20"-24"-30"-36"
LENGTH:
8' 10'

Architectural Mall, Inc
642 W Winthrop Ave
Addison, IL 60101

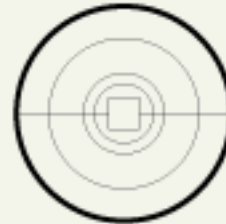
T. 877-279-9993
F. 877-271-9994
E. sales@architecturalmall.com



PLAN VIEW

1/2, 1/4, & 3/4, BASES,
CUSTOM CUTOUTS, OTHER
SIZES, AND OTHER DIAMETERS
ARE AVAILABLE ON REQUEST

HPR - CAP-1



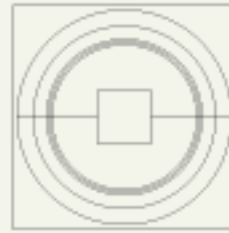
PLAN VIEW

1/2, 1/4, & 3/4, BASES,
CUSTOM CUTOUTS, OTHER
SIZES, AND OTHER DIAMETERS
ARE AVAILABLE ON REQUEST

HPR - CAP-2

Architectural Mall, Inc
642 W Winthrop Ave
Addison, IL 60101

T. 877-279-9993
F. 877-271-9994
E. sales@architecturalmall.com



PLAN VIEW

1/2, 1/4, & 3/4, BASES,
CUSTOM CUTOUTS, OTHER
SIZES, AND OTHER DIAMETERS
ARE AVAILABLE ON REQUEST

HPR - CAP-3



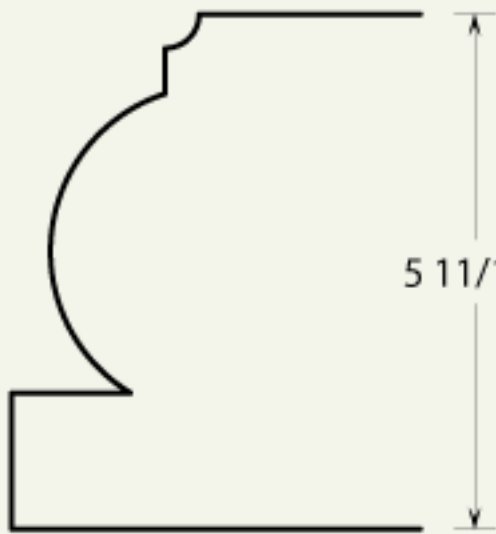
PLAN VIEW

1/2, 1/4, & 3/4, BASES,
CUSTOM CUTOUTS, OTHER
SIZES, AND OTHER DIAMETERS
ARE AVAILABLE ON REQUEST

HPR - CAP-4

Architectural Mall, Inc
642 W Winthrop Ave
Addison, IL 60101

T. 877-279-9993
F. 877-271-9994
E. sales@architecturalmall.com



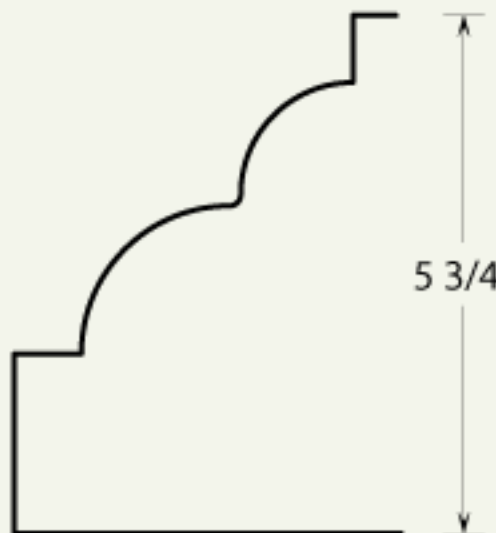
5 11/16"



REFLECTION

1/2, 1/4, & 3/4, BASES,
CUSTOM CUTOUTS, OTHER
SIZES, AND OTHER DIAMETERS
ARE AVAILABLE ON REQUEST

HPR - BASE-1



5 3/4"



REFLECTION

1/2, 1/4, & 3/4, BASES,
CUSTOM CUTOUTS, OTHER
SIZES, AND OTHER DIAMETERS
ARE AVAILABLE ON REQUEST

HPR - BASE-2

Architectural Mall, Inc
642 W Winthrop Ave
Addison, IL 60101

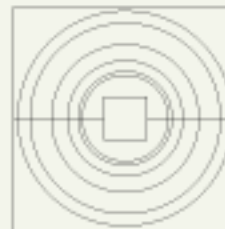
T. 877-279-9993
F. 877-271-9994
E. sales@architecturalmall.com



PLAN VIEW

1/2, 1/4, & 3/4, BASES,
CUSTOM CUTOUTS, OTHER
SIZES, AND OTHER DIAMETERS
ARE AVAILABLE ON REQUEST

HPR - BASE-3



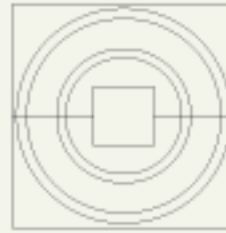
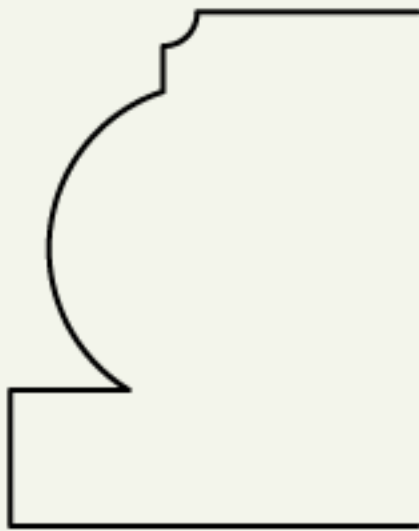
PLAN VIEW

1/2, 1/4, & 3/4, BASES,
CUSTOM CUTOUTS, OTHER
SIZES, AND OTHER DIAMETERS
ARE AVAILABLE ON REQUEST

HPR - BASE-4

Architectural Mall, Inc
642 W Winthrop Ave
Addison, IL 60101

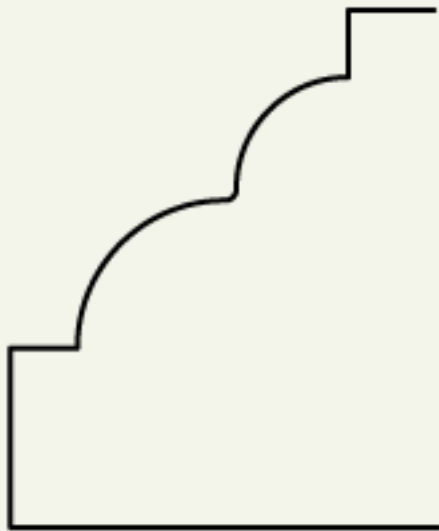
T. 877-279-9993
F. 877-271-9994
E. sales@architecturalmall.com



PLAN VIEW

1/2, 1/4, & 3/4, BASES,
CUSTOM CUTOUTS, OTHER
SIZES, AND OTHER DIAMETERS
ARE AVAILABLE ON REQUEST

HPR - BASE-5



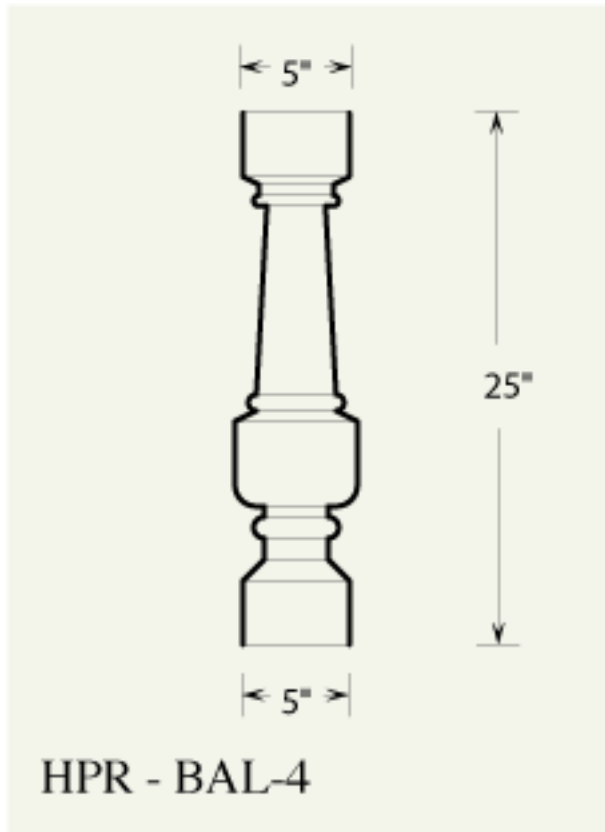
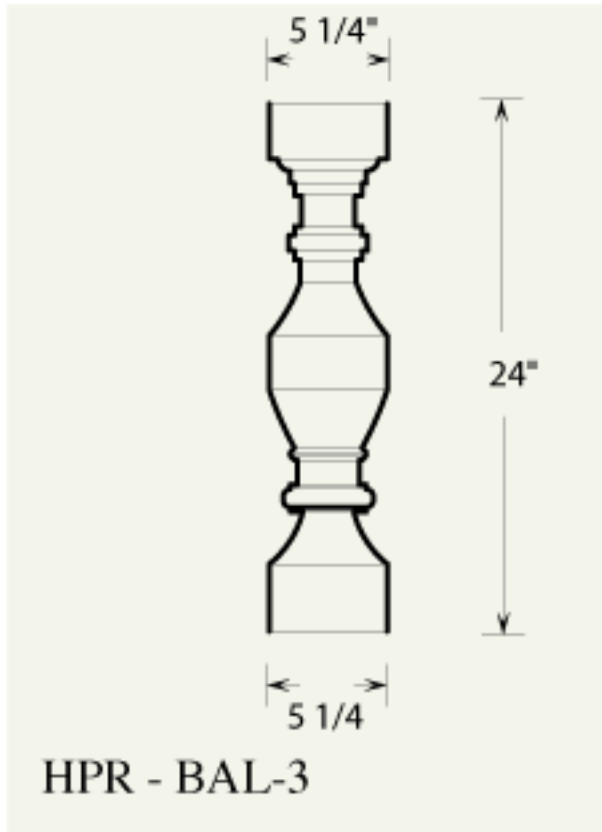
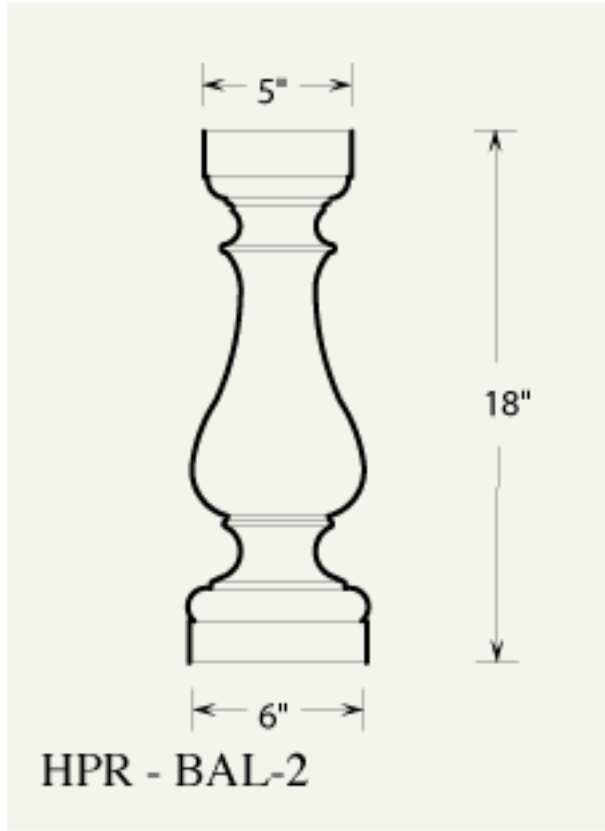
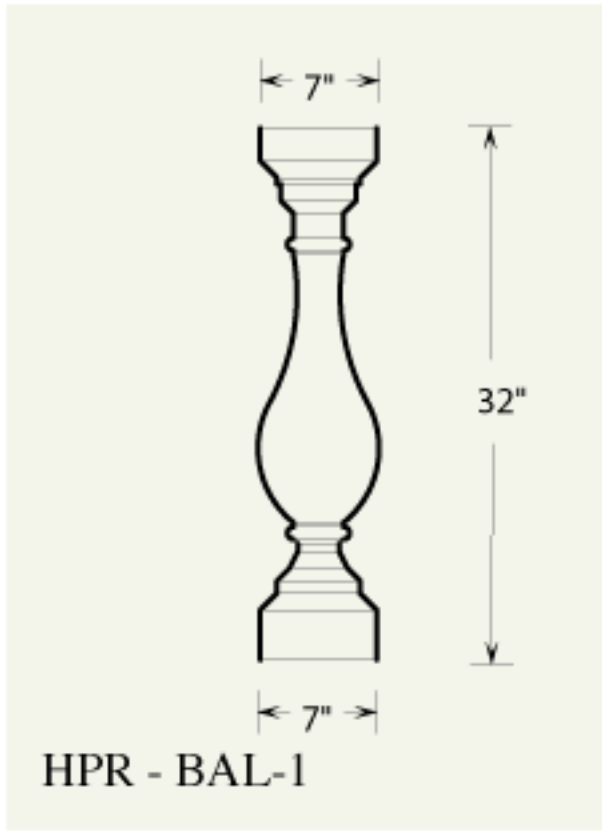
PLAN VIEW

1/2, 1/4, & 3/4, BASES,
CUSTOM CUTOUTS, OTHER
SIZES, AND OTHER DIAMETERS
ARE AVAILABLE ON REQUEST

HPR - BASE-6

Architectural Mall, Inc
642 W Winthrop Ave
Addison, IL 60101

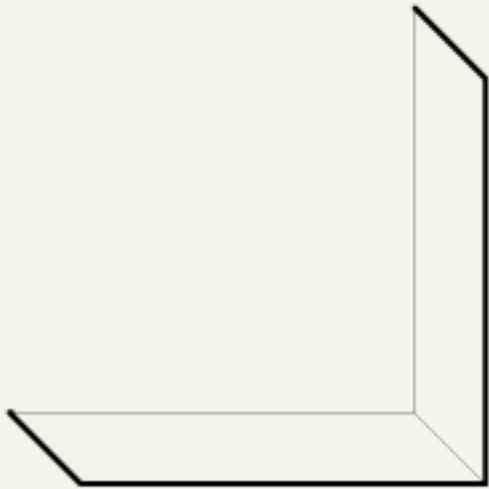
T. 877-279-9993
F. 877-271-9994
E. sales@architecturalmall.com



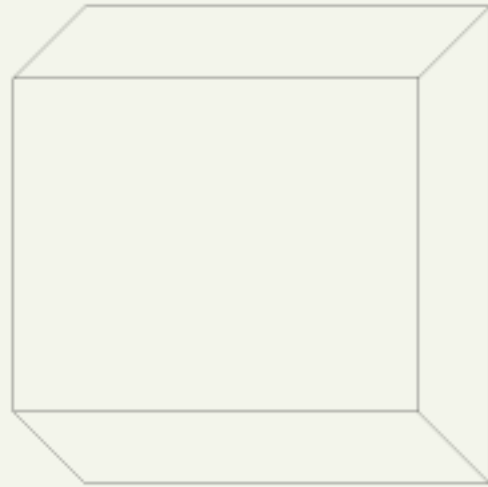
Architectural Mall, Inc
 642 W Winthrop Ave
 Addison, IL 60101

T. 877-279-9993
 F. 877-271-9994
 E. sales@architecturalmall.com

< 10"-12"-14"-16"-18"-20" >
 1"-1 1/2"-2"

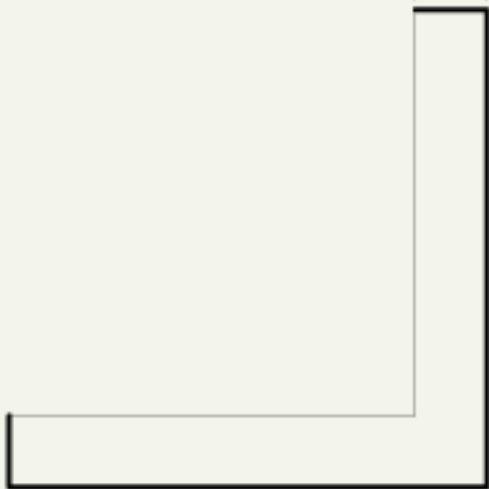


HPR - BQ

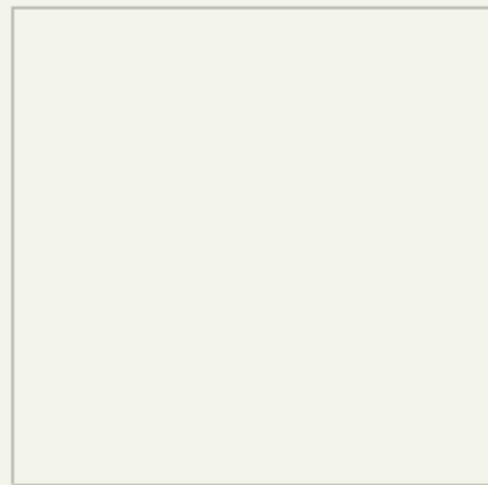


- HPR-BQ-10 – 10" X 10" X 1"
- HPR-BQ-12 – 12" X 12" X 1"
- HPR-BQ-14 – 14" X 14" X 1 1/2"
- HPR-BQ-16 – 16" X 16" X 1 1/2"
- HPR-BQ-18 – 18" X 18" X 2"
- HPR-BQ-20 – 20" X 20" X 2"

< 10"-12"-14"-16"-18"-20" >
 1"-1 1/2"-2"



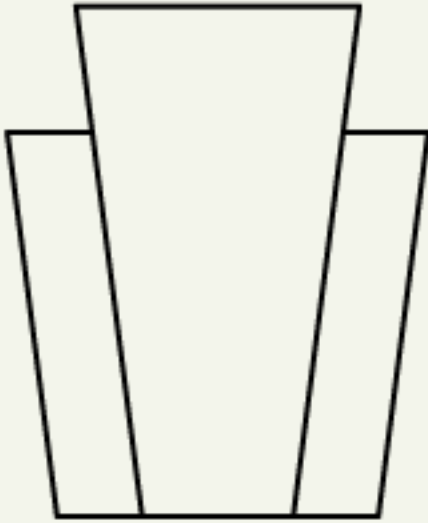
HPR - PQ



- HPR-PQ-10 – 10" X 10" X 1"
- HPR-PQ-12 – 12" X 12" X 1"
- HPR-PQ-14 – 14" X 14" X 1 1/2"
- HPR-PQ-16 – 16" X 16" X 1 1/2"
- HPR-PQ-18 – 18" X 18" X 2"
- HPR-PQ-20 – 20" X 20" X 2"

Architectural Mall, Inc
 642 W Winthrop Ave
 Addison, IL 60101

T. 877-279-9993
 F. 877-271-9994
 E. sales@architecturalmall.com

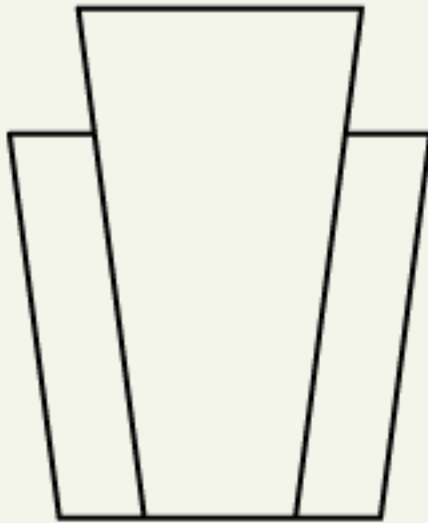


HPR - KEY-1



SIDE VIEW

- HPR-KEY-108 -- 8" X 3"
- HPR-KEY-110 -- 10" X 3"
- HPR-KEY-112 -- 12" X 3"
- HPR-KEY-114 -- 14" X 3"



HPR - KEY-2

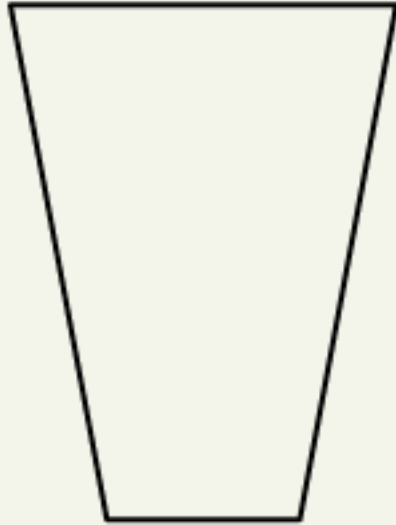


SIDE VIEW

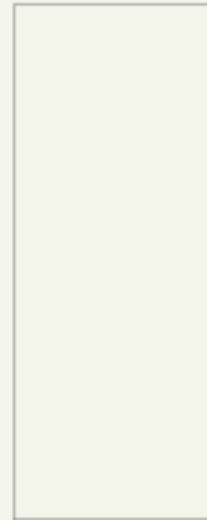
- HPR-KEY-208 -- 8" X 3"
- HPR-KEY-210 -- 10" X 3"
- HPR-KEY-212 -- 12" X 3"
- HPR-KEY-214 -- 14" X 3"

Architectural Mall, Inc
642 W Winthrop Ave
Addison, IL 60101

T. 877-279-9993
F. 877-271-9994
E. sales@architecturalmall.com



HPR - KEY-1



SIDE VIEW

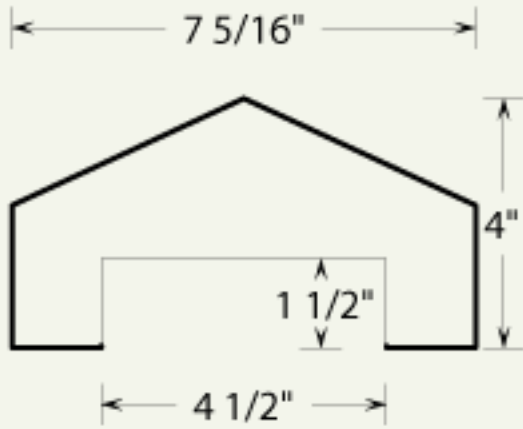
- HPR-KEY-308 -- 8" X 3"
- HPR-KEY-310 -- 10" X 3"
- HPR-KEY-312 -- 12" X 3"
- HPR-KEY-314 -- 14" X 3"

AVAILABLE KEYSTONE SIZES

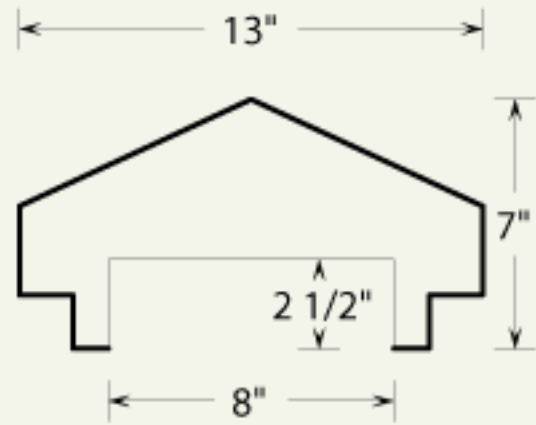
KEY	HEIGHT	TOP WIDTH	BOTTOM WIDTH	THICKNESS
108	8	6 1/2	5	3
110	10	8 1/8	6 1/4	3
112	12	9 3/4	7 1/2	3
114	14	11 1/2	8 7/8	4
208	8	6 1/2	5	3
210	10	8 1/8	6 1/4	3
212	12	10	7 1/2	3
214	14	11 1/2	8 7/8	4
308	8	4 1/2	2 1/2	3
310	10	5 5/8	3 1/8	3
312	12	6 3/4	3 3/4	3
314	14	8	4 1/2	4

Architectural Mall, Inc
 642 W Winthrop Ave
 Addison, IL 60101

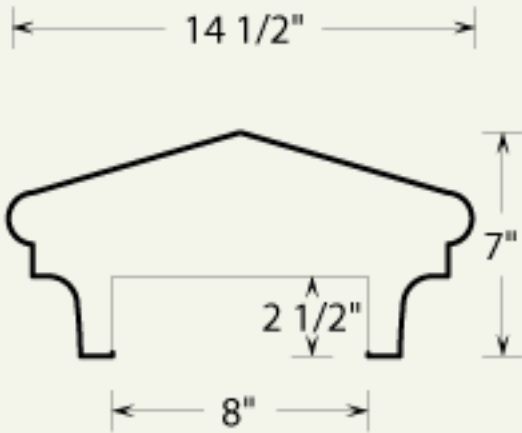
T. 877-279-9993
 F. 877-271-9994
 E. sales@architecturalmall.com



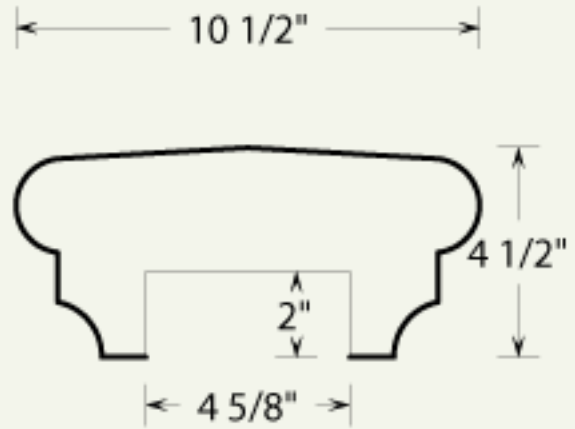
HPR - WC1



HPR - WC2



HPR - WC3



HPR - WC4

Architectural Mall, Inc
 642 W Winthrop Ave
 Addison, IL 60101

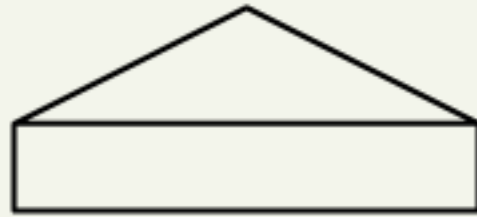
T. 877-279-9993
 F. 877-271-9994
 E. sales@architecturalmall.com

8"-12"-16"-20"-24"-36"-48"



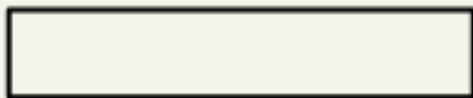
HPR - PC1

12"-16"-20"-24"-30"-36"



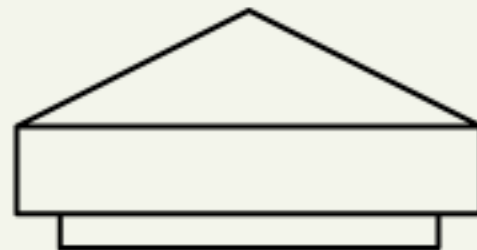
HPR - PC2

12"-16"-20"-24"-30"-36"



HPR - PC3

12"-16"-20"-24"-30"-36"



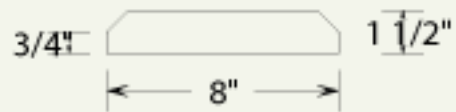
HPR - PC4

Architectural Mall, Inc
642 W Winthrop Ave
Addison, IL 60101

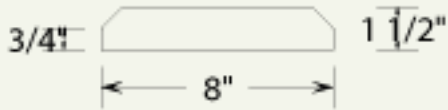
T. 877-279-9993
F. 877-271-9994
E. sales@architecturalmall.com



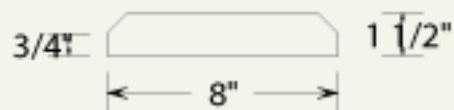
HPR - AP-3



HPR - AP-4



HPR - AP-5

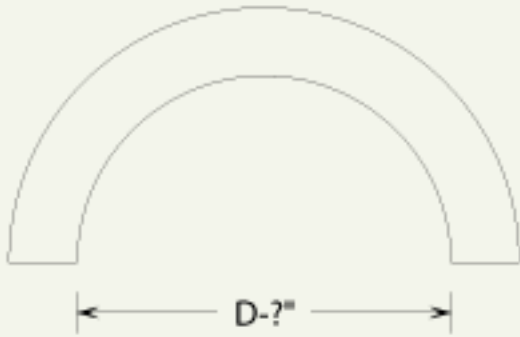


Dimensions and letter style varies.

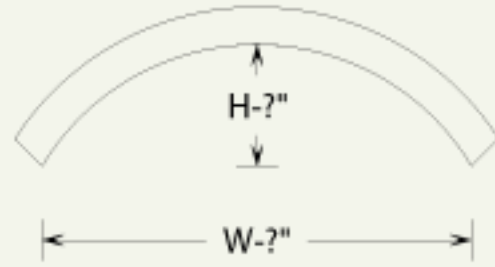
HPR - PANEL

Architectural Mall, Inc
642 W Winthrop Ave
Addison, IL 60101

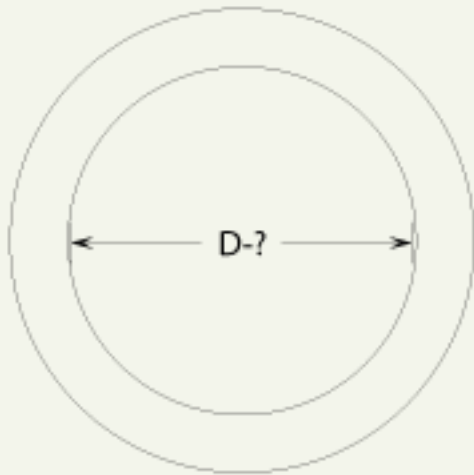
T. 877-279-9993
F. 877-271-9994
E. sales@architecturalmall.com



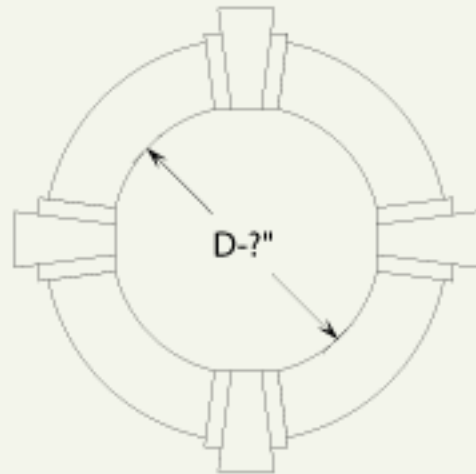
HPR - ARC-1



HPR - ARC-2



HPR - CIRCLE-1



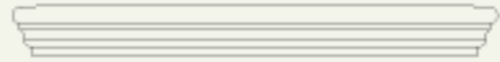
HPR - CERCLE-2

Architectural Mall, Inc
642 W Winthrop Ave
Addison, IL 60101

T. 877-279-9993
F. 877-271-9994
E. sales@architecturalmall.com



TOP VIEW



ELEVATION

BACKWARD BEND ARCH-1



TOP VIEW



ELEVATION

BACKWARD BEND ARCH-2

Architectural Mall, Inc
642 W Winthrop Ave
Addison, IL 60101

T. 877-279-9993
F. 877-271-9994
E. sales@architecturalmall.com